

BG12864F

Feature

1. SMT with metal frame
2. Built-in controller T6963C
3. +5V single power supply, with built-in negative voltage
4. 1/64 duty cycle
5. Option: LED array/edge B/L, EL B/L
6. Option: External negative voltage

Mechanical Data

Item	Standard Value	Unit
Module Dimension	87.0 x 70.0	mm
Viewing Area	72.0 x 40.0	mm
Dot Size	0.48 x 0.48	mm
Dot Pitch	0.52 x 0.52	mm



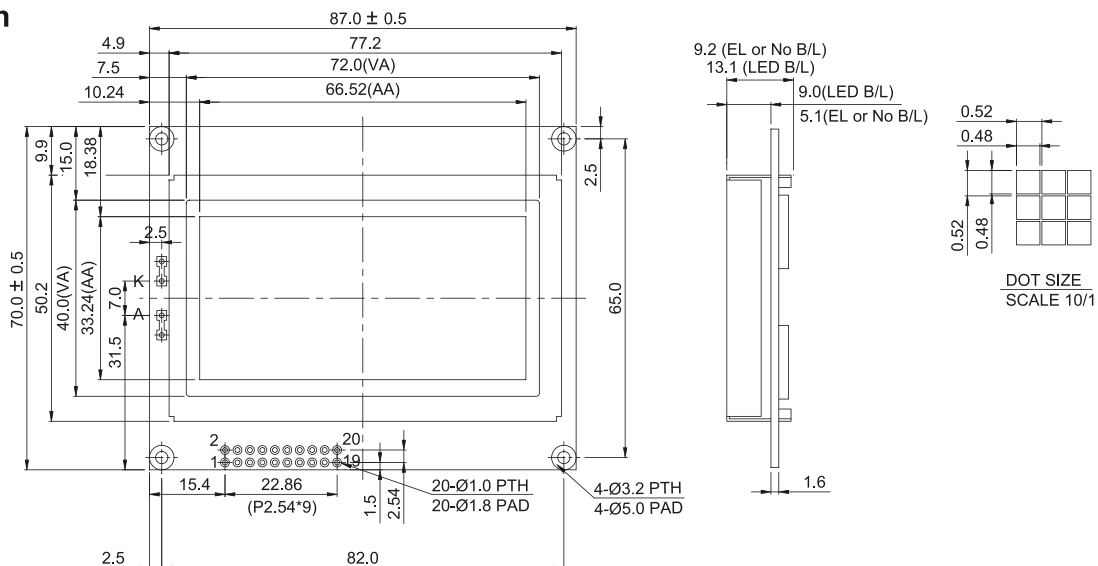
Pin Assignment

Pin	Symbol	Function
1	Vss	GND
2	Vdd	Power supply(+5V)
3	Vo	Contrast adjustment
4	C/D	Command/data
5	/RD	Data read
6	/WR	Data write
7~14	DB0~7	Data bus line
15	/CE	Chip enable
16	/RST	Reset signal
17	Vee	Negative voltage output -5V
18	MD2	Column No. selection (H:32 column, L: 40 columns)
19	FS	Font selection (H:6x8,L:8x8)
20	HLT	H: normal L: stop clock oscillation

Electronic Characteristics

Item	Symbol	Condition	Typical Value	Unit
Input Voltage	Vdd	Vdd = +5V	5.0	V
Supply Current	Idd	Vdd = +5V	5	mA
LCD Driving Voltage	Vdd-Vo	25°C	8.5	V
LED Forward Voltage(yellow-green)	Vf	25°C	4.2	V
LED Forward Current	If	25°C	330	mA
EL Power Voltage	Vel	Vel=110Vac/400Hz		V

Dimension



BG-18