

BG12864H

Feature

1. COB with metal frame
2. Built-in controller NT7107/NT7108 or equivalent
3. +5V single power supply, with built-in negative voltage
4. 1/64 duty cycle
5. Option: EL backlight & EL inverter
6. Option: +3V single power supply
7. Option: external negative voltage
8. No LED Backlight Option



Mechanical Data

Item	Standard Value	Unit
Module Dimension	54.0 x 50.0	mm
Viewing Area	43.5 x 29.0	mm
Dot Size	0.28 x 0.35	mm
Dot Pitch	0.32 x 0.39	mm

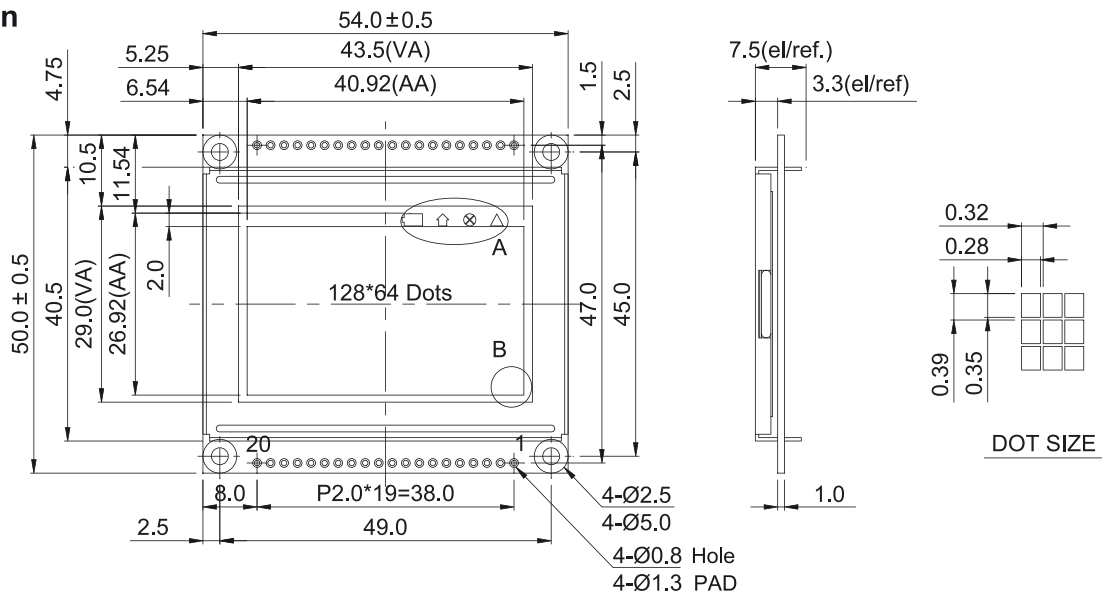
Pin Assignment

Pin	Symbol	Function
1	Vss	Power supply GND
2	Vdd	+5V(+3V option)
3	Vo	Contrast adjustment
4	D/I	Data/ Instruction
5	R/W	Data read/write
6	E	Enable signal
7~14	DB0~7	Data bus line
15	CS1	Chip enable (segment 1 - 64)
16	CS2	Chip enable (segment 65 - 128)
17	/RST	Reset signal
18	Vee	Negative voltage output(-10V)
19	BL+	EL backlight power on/off
20	NC	No connection

Electronic Characteristics

Item	Symbol	Condition	Typical Value	Unit
Input Voltage	Vdd	Vdd = +5V	5.0	V
Supply Current	Idd	Vdd = +5V	10	mA
LCD Driving Voltage	Vdd-Vo	25°C	7.8	V
LED Forward Voltage (yellow-green)	Vf	25°C	4.2	V
LED Forward Current	If	25°C	30	mA

Dimension



BG-19