

# BG240128B<sub>3</sub>

## Feature

1. SMT PCB with metal frame
2. Built-in controller LC7981(=HD 61830)
3. 1/128 duty cycle
4. +5V power supply
5. Option: negative voltage
6. Option: LED, EL B/L, CCFL



## Mechanical Data

Item	Standard Value	Unit
Module Dimension	144.0 x 104.0	mm
Viewing Area	114.0 x 64.0	mm
Dot Size	0.43 x 0.43	mm
Dot Pitch	0.45 x 0.45	mm

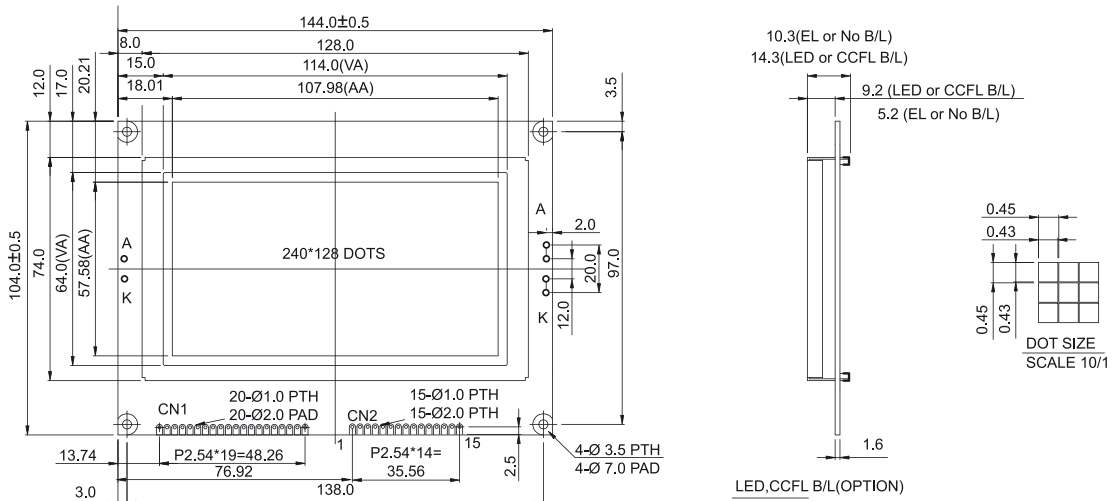
## Pin Assignment

Pin	Symbol	Function
1	Vss	Power supply (GND)
2	Vdd	Power supply(+5V)
3	Vo	Contrast adjustment
4	RS	Data/Instruction select
5	R/W	Read/Write select
6	E	Enable signal
7~14	DB0~7	Data bus line
15	/CS	Chip select
16	/RST	Reset signal
17	Vee	Negative voltage output -15V
18	A	Power supply for B/L (+)
19	K	Power supply for B/L (GND)
20	NC	No connection

## Electronic Characteristics

Item	Symbol	Condition	Typical Value	Unit
Input Voltage	Vdd	Vdd = +5V	5.0	V
Supply Current	Idd	Vdd = +5V	45	mA
LCD Driving Voltage	Vdd-Vo	25°C	18.5	V
LED Forward Voltage(yellow-green)	Vf	25°C	4.2	V
LED Forward Current	If	25°C	900	mA

## Dimension



CN2 NO CONNECTION

BG-35