

# BO12864B

### Feature

1. COG package
2. Built-in controller SED1565
3. +5V power supply
4. 1/64 duty cycle
5. +3V~+5V single power supply
6. On chip LCD booster
7. Option LED B/L, EL B/L



### Mechanical Data

Item	Standard Value	Unit
Module Dimension	72.0 x 47.0	mm
Viewing Area	68.0 x 36.0	mm
Dot Size	0.47 x 0.47	mm
Dot Pitch	0.50 x 0.50	mm

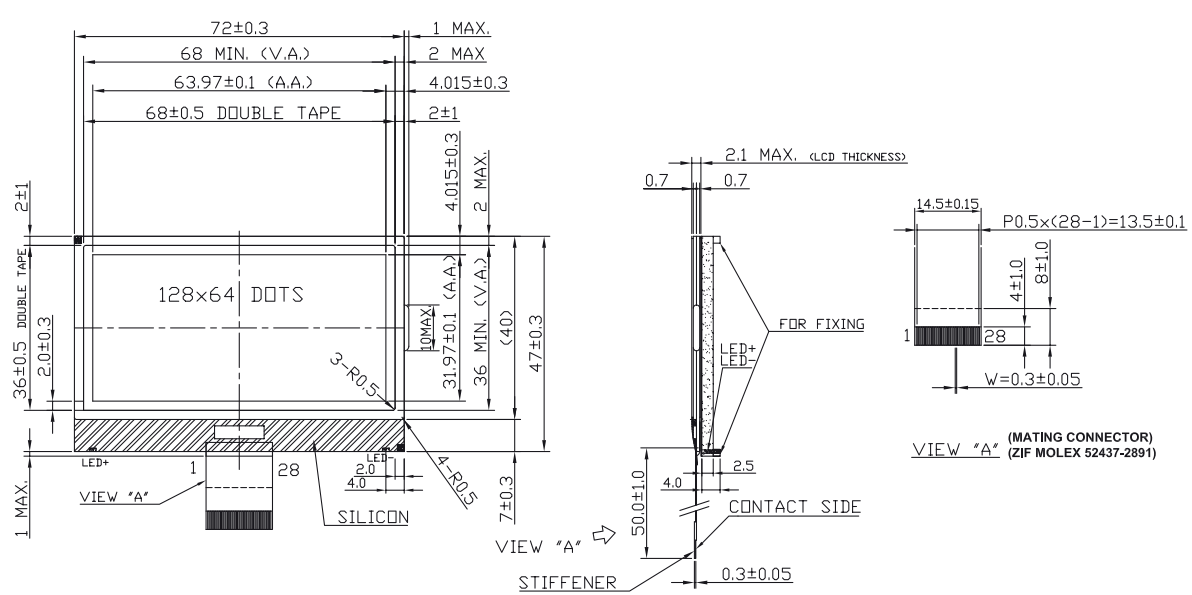
### Pin Assignment

Pin	Symbol	Pin	Symbol	Pin	Symbol
1	C86	11	Cap1+	21	DB2
2	Vss	12	Cap3-	22	DB1
3	V5	13	Vout	23	DB0
4	V4	14	Vss	24	RD(E)
5	V3	15	Vdd	25	WR(R/W)
6	V2	16	DB7	26	Ao
7	V1	17	DB6	27	RST
8	Cap2+	18	DB5	28	CS1
9	Cap2-	19	DB4		
10	Cap1-	20	DB3		

### Electronic Characteristics

Item	Symbol	Condition	Typical Value	Unit
Input Voltage	Vdd	Vdd = +3.3V	5.0	V
Supply Current	Idd	Vdd = +5V	13.1	uA
LCD Driving Voltage	Vdd-V5	25°C	9.0	V

### Dimension



BO-8