

BP160160D

Feature

1. FSTN LCD, TAB IC, TCP package
2. Built-in controller S1D13700
3. +3V ~ +5V power supply
4. 8-Bit data bus
5. 1/160 duty cycle
6. Built-in Positive Voltage For LCD
7. Option: LED B/L
8. 16 gray scale

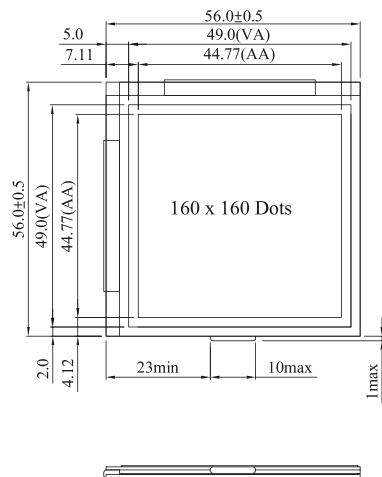
Mechanical Data

Item	Standard Value	Unit
Module Dimension	56.0 x 56.0	mm
Viewing Area	49.0 x 49.0	mm
Dot Size	0.25 x 0.25	mm
Dot Pitch	0.28 x 0.28	mm

Pin Assignment

Pin	Symbol	Function
1	RST	Reset signal
2	RD	80s:read signal/68s:enable signal(E)
3	WR	80s:write signal/68s : R/W signal
4	CS	Chip select
5	Ao	Data select
6~13	DB0-7	Data bus line
14	Vdd	Power supply (+3V ~ +5V)
15	Vss	Power supply (GND)
16	Vlcd	Positive voltage output(+19V)
17	Vadj	Contrast adjustment (Vadj- Vss)
18	NC	No connection
19	A	Power supply for B/L (+)
20	K	Power supply for B/L (GND)
21	Wait	wait signal
22	SEL	uP select (H:68 series L:80 series)
23	/DISPOFF	display off signal (H:on L:off)
24	NC	No connection

Dimension



Electronic Characteristics

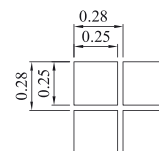
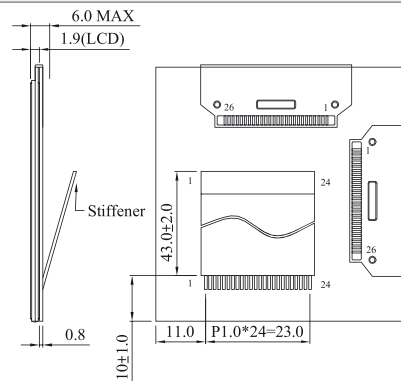
Item	Symbol	Condition	Typical Value	Unit
Input Voltage	Vdd		5.0	V
Supply Current	Idd	Vdd = +5V	25	mA
LCD Driving Voltage	Vop	25°C	16.7	V
LED Forward Voltage	Vf	25°C	3.1	V
Edge LED Forward Current	If	25°C	60	mA

CONSULTING DISTRIBUTOR



POHL

POHL Electronic GmbH
Eduard-Mauren-Straße 11a · 16761 Hennigsdorf
Tel. +49 3302 81893-0 · Fax +49 3302 81893-99
www.pohl-electronic.de · info@pohl-electronic.de



Dots size
Scale 40/1