



FM-204

Product Overview

The FM-204 is a product designed for use in OEM products or environments needing a small, fixed position bar code scanner to read linear, stacked linear (PDF417), and/or 2D/Matrix bar codes. With omni-directional scanning, no moving parts, no safety labeling requirements, and additional non-barcode functionality, the FM-204 is perfect for clinical and diagnostic applications, kiosk applications, age verification, gas pumps, cash register type terminals, and more.

Multi-Functional

More than just a bar code scanner, the FM-204 provides image capture functions that can be used for a wide range of applications such as image / shape recognition, signature capture, image capture, embedded machine vision and Optical Character Recognition (OCR).

Buy It Once

Powered by Adaptus™ 2D Imaging Technology, the FM-204 is future-proof. This means that, in addition to providing industry leading performance on existing linear, stacked linear, and 2D/Matrix bar codes, the FM-204 has the technology required to read barcodes that aren't even invented yet. The FM-204 will give you the peace of mind knowing that you installed a product that eliminates the need to purchase new product in the future.

Setup Is Easy

With no external decoders or illumination required, the FM-204 is all the hardware you need. The FM-204 communicates USB (Comm. Port of Keyboard Emulation) or RS-232 protocol via detachable interface cables.

Programming the FM-204 is easy and can be done through a PC program, Serial Commands, Bar Code Programming Manual, or by a single Configuration Bar Code that contains all your settings.

• **Omni-directional Scanning/Decoding**

True 360 degree scanning and decoding eliminates user training issues and enables the use of efficient Matrix bar codes.

• **No Moving Parts**

Solid-state electronics means that there are no moving parts to break, come out of alignment, or wear.

• **LED Based Illumination**

Safe illumination source doesn't require safety or warning labels to be placed on the outside of customer's product. Red or Green Illumination Options and software settings allows for flexible target/aiming options to fit application needs.

• **Small Form Factor**

Makes mounting and integration easy.



2d

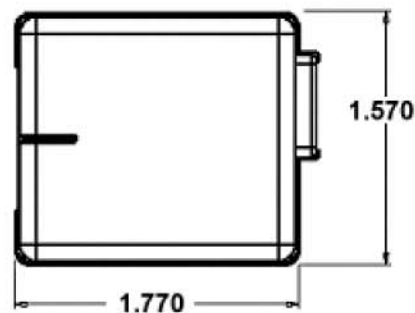
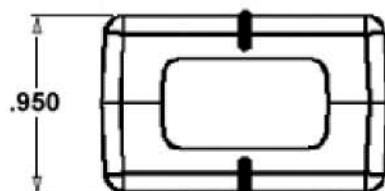
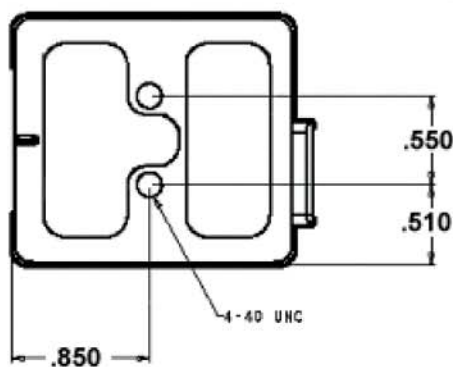


1d

Paperless
Documentation**JADAK**®
visionary thinking


Specifications

Bar Code Scanning:	Linear Bar Codes: Codabar, Code 39, Code 128, Interleaved 2 of 5, UPC, EAN, Code 93, GS1/Databar, PDF417 Matrix (2D) Bar Codes: Aztec Code, Data Matrix, Maxicode, QR Code OCR: OCR A, OCR B
Illumination	Green Aiming Line, Red Illumination LEDs
Image Capture	8 Bit Grayscale, 752 x 480 Pixels
Communication:	RS232, USB Keyboard or COMM Port
I/O:	5v DC Trigger Input
Power:	5v DC
Peak Current:	500mA (Note: Can be reduced depending on configuration and settings)
Operating Temperature	32° to 122° F (0° to 50° C)
Relative Humidity:	95% RH non-condensing, at +50°C
Emissions:	Designed to meet FCC Class A CE specifications (Class B available)
Environmental:	RoHS and WEEE Compliant
Accessories:	<ul style="list-style-type: none"> • Interface cables (RS-232 and USB) • Custom mounting bracket • Custom housing colors and artwork • IP 54 housing/cable (call for availability) • Other customization and integration services available
Warranty:	The FM-204 is covered by a 1-Year Warranty
Dimensions:	50.8mm x 60.96mm x 22.22mm



USA Office
 7279 William Barry Blvd.
 North Syracuse, NY
 13212-3349

+1 315.701.0678 Phone
 +1 315.701.0679 Fax
 email: info@jadaktech.com

European Office
 Emmastraat 16
 4811 AG Breda
 The Netherlands

+31 (0)76.522.5588 Phone
 +31 (0)76.522.4747 Fax
 email: info@jadaktech.com



JADAK®
 visionary thinking

www.jadaktech.com