



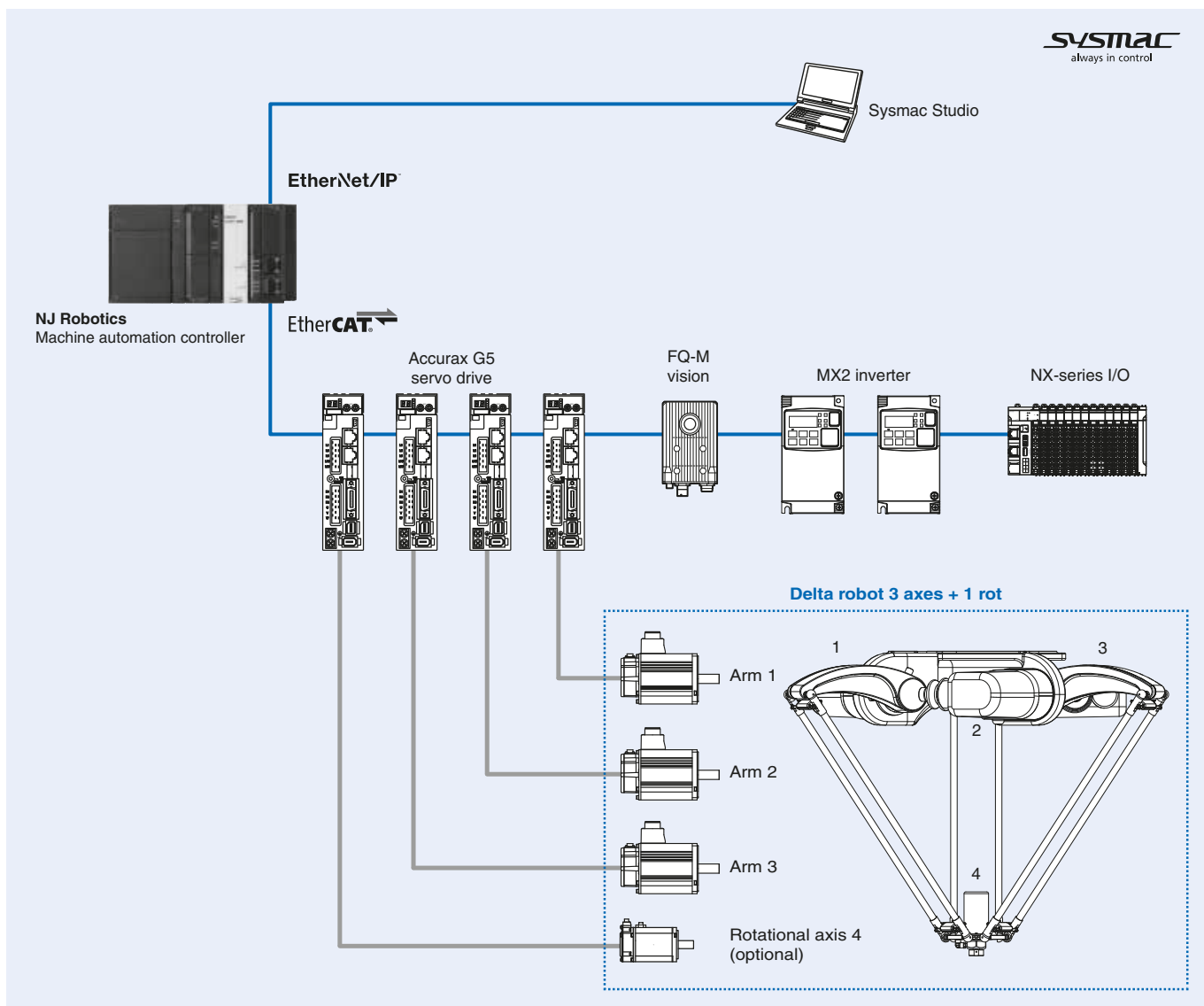
Delta robot 3 axes + 1 rot

The fastest picking system integrated in the Sysmac Platform

- Robot control integrated in the NJ robotics controller
- Control of up to 8 robots by one controller
- Degrees of freedom: 3 + 1 (rotational axis optional)
- Up to 200 cycle per minute
- Models from 500 to 1,600 mm working range
- Payload range: 1 to 10 kg
- Different types of Delta robot arms
- IP class range: IP65, IP67, IP69K
- Anti-collision detection option



System configuration



Note: Servo motors included in the Delta robot.

Specifications

Delta robot 3 axes + 1 rot series

IP69K protection class models

Model		CR_UGD4_XL_HD□		CR_UGD4_HD□		CR_UGD4_XS_HD□		
		With rotational axis	Without rotational axis	With rotational axis	Without rotational axis	With rotational axis	Without rotational axis	
Working volume	X, Y axis (stroke)	Ø 1,300 mm		Ø 1,100 mm		Ø 650 mm		
	Z axis (stroke) ¹	250 mm (maximum Ø 1,300 mm) 400 mm (center Ø 870 mm)		250 mm (maximum Ø 1,100 mm) 400 mm (center Ø 670 mm)		200 mm (maximum Ø 650 mm) 270 mm (center Ø 407.5 mm)		
	θ axis (rotation angle)	±180 deg (default setting, it can be changed)	-	±180 deg (default setting, it can be changed)	-	±180 deg (default setting, it can be changed)	-	
Servo motor	Arm 1, 2, 3	Model	R88M-K1K030T-BS2-V2					
		Capacity	1,000 W					
	Rotational axis 4	Model	R88M-K75030T-BS2	-	R88M-K75030T-BS2	-	R88M-K75030T-BS2	-
		Capacity	750 W	-	750 W	-	750 W	-
Repeatability ²	X, Y, Z axis	±0.2 mm		±0.2 mm		±0.2 mm		
	θ axis	±0.3 deg	-	±0.3 deg	-	±0.3 deg	-	
Maximum payload		2 kg		2 kg		2 kg		
Maximum through-put ³		120 CPM ⁴		150 CPM ⁴		170 CPM ⁴		
Gear box ratio	X, Y, Z axis	1:31		1:31		1:31		
	θ axis	1:10	-	1:10	-	1:10	-	
θ axis torque limitation		7 Nm		7 Nm		7 Nm		
Travel limit		1. Soft limit, 2. Mechanical stopper (X, Y, Z axis)						
Noise level		< 68 dB (A)						
Ambient temperature		Operating: 5°C to 45°C Storage: -25°C to 60°C						
Relative humidity		Max. 90%						
Protection class		IP69K						
Weight		100 kg						

¹. For further details please check the dimensional drawing in the next section.

². This is the value at a constant ambient temperature.

³. With 0.1 kg payload. When reciprocating 305 mm in horizontal and 25 mm in vertical directions.

⁴. CPM: Cycle per minutes. Check the note 3 for the cycle definition.

IP67 protection class models

Model		R6Y3□110□03067NJ5			R6Y3□065□02067NJ5			
		With high inertia rotational axis	With low inertia rotational axis	Without rotational axis	With high inertia rotational axis	With low inertia rotational axis	Without rotational axis	
Working volume	X, Y axis (stroke)	Ø 1,100 mm			Ø 650 mm			
	Z axis (stroke) ¹	300 mm (maximum Ø 1,100 mm) 450 mm (center Ø 580 mm)			150 mm (maximum Ø 650 mm) 250 mm (center Ø 480 mm)			
	θ axis (rotation angle)	±180 deg (default setting, it can be changed)		-	±180 deg (default setting, it can be changed)		-	
Servo motor	Arm 1, 2, 3	Model	R88M-K1K030T-BS2					
		Capacity	1,000 W					
	Rotational axis 4	Model	R88M-K10030T-S2	R88M-K05030T-S2	-	R88M-K10030T-S2	R88M-K05030T-S2	-
		Capacity	100 W	50 W	-	100 W	50 W	-
Repeatability ²	X, Y, Z axis	±0.2 mm		-	±0.1 mm			
	θ axis	±0.1 deg	-	-	±0.1 deg	-		
Maximum payload		3 kg			2 kg			
Maximum through-put ³		150 CPM ⁴			200 CPM ⁴			
θ axis tolerable moment of inertia ⁵		0.035 kgm ²	0.01 kgm ²	-	0.035 kgm ²	0.01 kgm ²	-	
User tubing (outer diameter)		Ø 6						
Travel limit		1. Soft limit, 2. Mechanical stopper (X, Y, Z axis)						
Noise level		< 73.7 dB (A)			< 64.5 dB (A)			
Ambient temperature		0°C to 45°C						
Relative humidity		Max. 85%						
Protection class		IP67						
Weight		75 kg			32 kg			

¹. For further details please check the dimensional drawing in the next section.

². This is the value at a constant ambient temperature.

³. With 0.1 kg payload. When reciprocating 305 mm in horizontal and 25 mm in vertical directions.

⁴. CPM: Cycle per minutes. Check the note 3 for the cycle definition.

⁵. There are limits to acceleration coefficient settings.

IP65 protection class models

Model		CR_UGD4_XXLH		CR_UGD4_XXL1300H		
		With rotational axis	Without rotational axis	With rotational axis	Without rotational axis	
Working volume	X, Y axis (stroke)	Ø 1,600 mm		Ø 1,300 mm		
	Z axis (stroke) ^{*1}	350 mm (maximum Ø 1,600 mm) 550 mm (center Ø 814 mm)		300 mm (maximum Ø 1,300 mm) 450 mm (center Ø 780 mm)		
	θ axis (rotation angle)	±180 deg (default setting, it can be changed)	-	±180 deg (default setting, it can be changed)	-	
Servo motor	Arm 1, 2, 3	Model	R88M-K3K030C-BS2			
		Capacity	3,000 W			
	Rotational axis 4	Model	R88M-K1K030C-BS2	-	R88M-K1K030C-BS2	-
		Capacity	1,000 W	-	1,000 W	-
Repeatability ^{*2}	X, Y, Z axis	±0.5 mm				
	θ axis	±0.3 deg	-	±0.3 deg	-	
Maximum payload			10 kg			
Maximum through-put ^{*3}			80 CPM ^{*4}	90 CPM ^{*4}		
Gear box ratio	X, Y, Z axis	1:38,5				
	θ axis	1:20	-	1:20	-	
θ axis torque limitation			19 Nm	-	19 Nm	
User tubing (outer diameter)			Ø 8 ^{*5}			
Travel limit	1. Soft limit, 2. Mechanical stopper (X, Y, Z axis)					
Noise level	< 68 dB (A)					
Ambient temperature	5°C to 45°C					
Relative humidity	Max. 90%					
Protection class	IP65					
Weight	115 kg					

*1. For further details please check the dimensional drawing in the next section.

*2. This is the value at a constant ambient temperature.

*3. With 0.1 kg payload. When reciprocating 305 mm in horizontal and 25 mm in vertical directions.

*4. CPM: Cycle per minutes. Check the note 3 for the cycle definition.

*5. Only for the air suctioning. The air injection is not allowed.

Model		CR_UGD4_XL		CR_UGD4		
		With rotational axis	Without rotational axis	With rotational axis	Without rotational axis	
Working volume	X, Y axis (stroke)	Ø 1,300 mm		Ø 1,100 mm		
	Z axis (stroke) ^{*1}	250 mm (maximum Ø 1,300 mm) 400 mm (center Ø 870 mm)		250 mm (maximum Ø 1,100 mm) 400 mm (center Ø 670 mm)		
	θ axis (rotation angle)	±180 deg (default setting, it can be changed)	-	±180 deg (default setting, it can be changed)	-	
Servo motor	Arm 1, 2, 3	Model	R88M-K1K030T-BS2			
		Capacity	1,000 W			
	Rotational axis 4	Model	R88M-K1K030T-BS2	-	R88M-K1K030T-BS2	-
		Capacity	1,000 W	-	1,000 W	-
Repeatability ^{*2}	X, Y, Z axis	±0.2 mm		±0.3 mm		
	θ axis	±0.3 deg	-	±0.4 deg	-	
Maximum payload			2 kg			
Maximum through-put ^{*3}			120 CPM ^{*4}	150 CPM ^{*4}		
Gear box ratio	X, Y, Z axis	1:31				
	θ axis	1:10	-	1:10	-	
θ axis torque limitation			7 Nm	-	7 Nm	
User tubing (outer diameter)			Ø 8 ^{*5}			
Travel limit	1. Soft limit, 2. Mechanical stopper (X, Y, Z axis)					
Noise level	< 68 dB (A)					
Ambient temperature	5°C to 45°C					
Relative humidity	Max. 90%					
Protection class	IP65					
Weight	65 kg					

*1. For further details please check the dimensional drawing in the next section.

*2. This is the value at a constant ambient temperature.

*3. With 0.1 kg payload. When reciprocating 305 mm in horizontal and 25 mm in vertical directions.

*4. CPM: Cycle per minutes. Check the note 3 for the cycle definition.

*5. Only for the air suctioning. The air injection is not allowed.

Model		CR_UGD4MINI		
		With rotational axis	Without rotational axis	
Working volume	X, Y axis (stroke)	Ø 500 mm		
	Z axis (stroke) ^{*1}	130 mm (maximum Ø 500 mm)	155 mm (maximum Ø 500 mm)	
	θ axis (rotation angle)	±180 deg (default setting, it can be changed)		
Servo motor	Arm 1, 2, 3	Model	R88M-K40030T-BS2	
		Capacity	400 W	
	Rotational axis 4	Model	R88M-K40030T-BS2	-
		Capacity	400 W	-
Repeatability ^{*2}	X, Y, Z axis	±0.2 mm		
	θ axis	±0.3 deg	-	
Maximum payload		1 kg		
Maximum through-put ^{*3}		200 CPM ^{*4}		
Gear box ratio	X, Y, Z axis	1:25		
	θ axis	1:1	-	
θ axis torque limitation		7 Nm	-	
User tubing (outer diameter)		Ø 8 ^{*5}		
Travel limit		1. Soft limit, 2. Mechanical stopper (X, Y, Z axis)		
Noise level		< 68 dB (A)		
Ambient temperature		5°C to 45°C		
Relative humidity		Max. 90%		
Protection class		IP65 ^{*6}		
Weight		25 kg		

*1. For further details please check the dimensional drawing in the next section.

*2. This is the value at a constant ambient temperature.

*3. With 0.1 kg payload. When reciprocating 305 mm in horizontal and 25 mm in vertical directions.

*4. CPM: Cycle per minutes. Check the note 3 for the cycle definition.

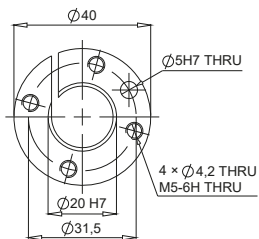
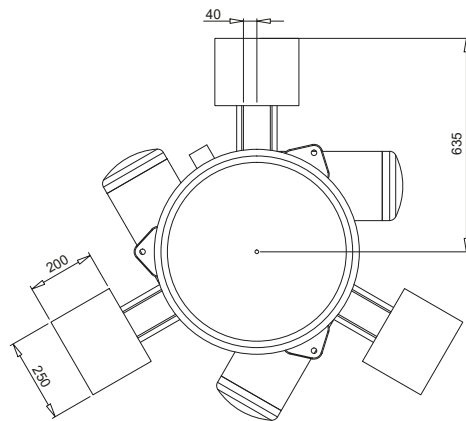
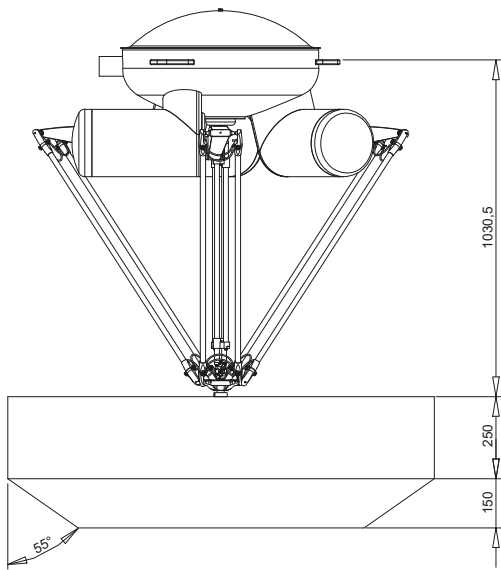
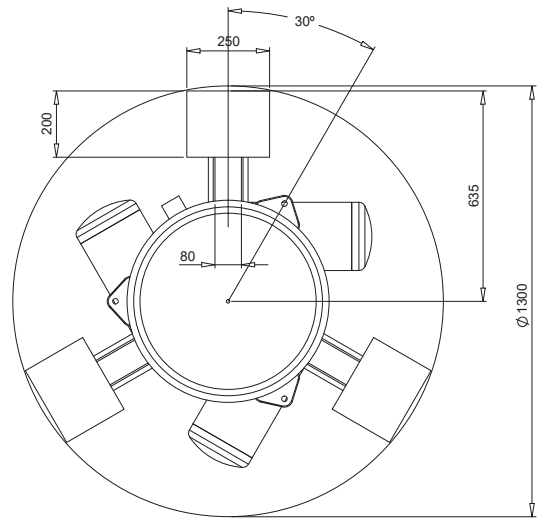
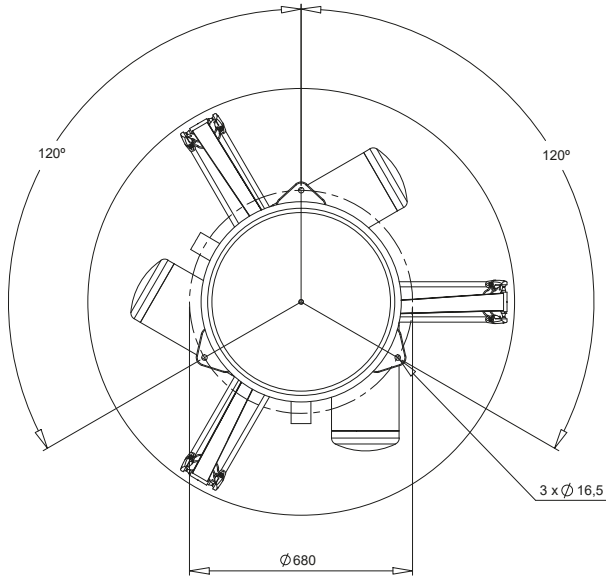
*5. Only for the air suctioning. The air injection is not allowed.

*6. The CR_UGD4MINI_□_TS models are delivered standard with stainless steel + titanium secondary arms.

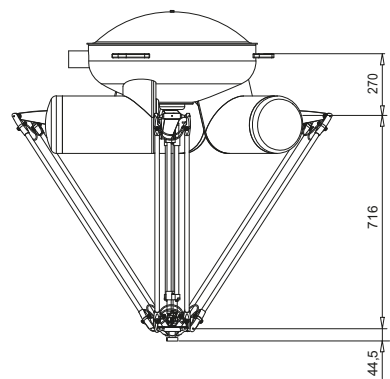
Dimensions

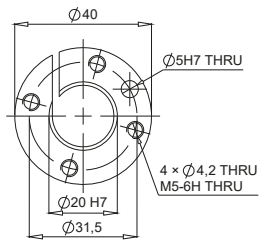
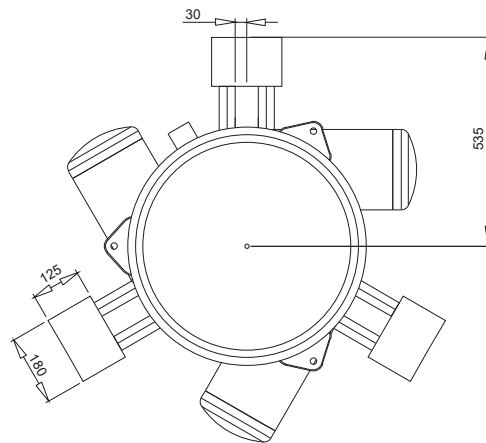
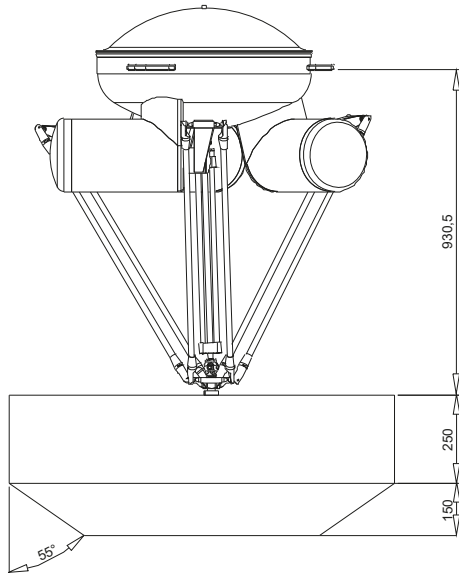
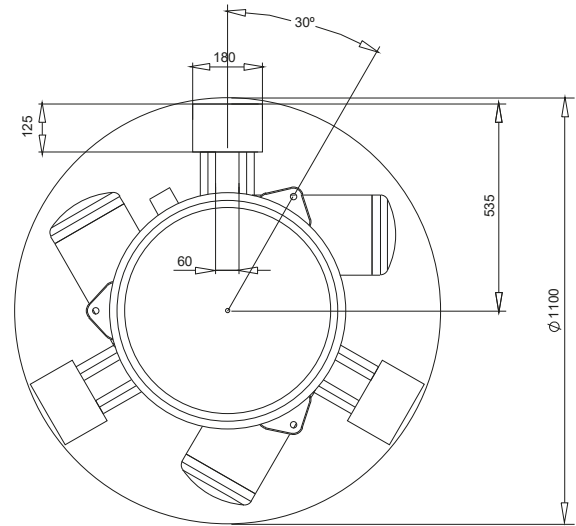
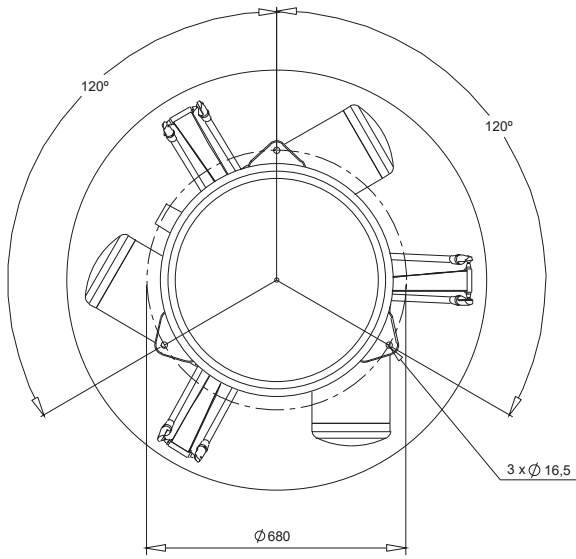
IP69K protection class models

CR_UGD4_XL □ R_HD □

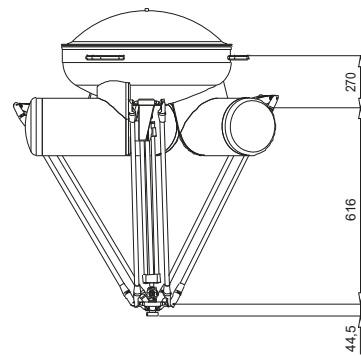


Gripper dimensions

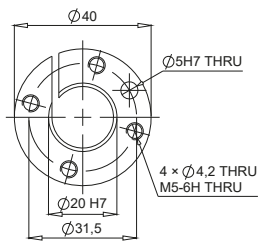
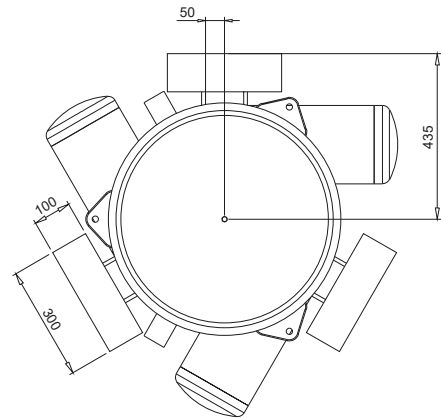
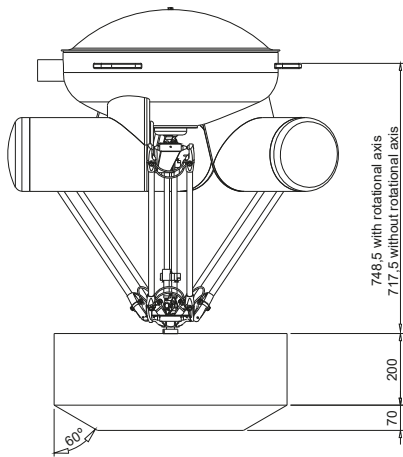
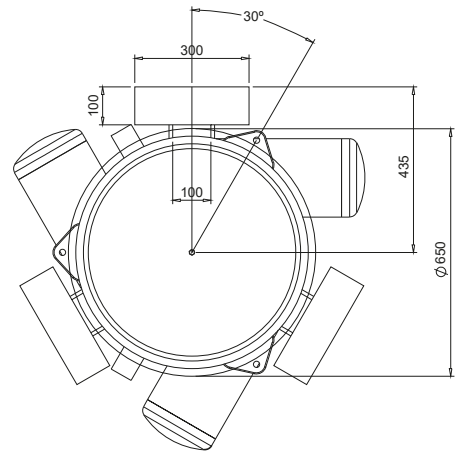
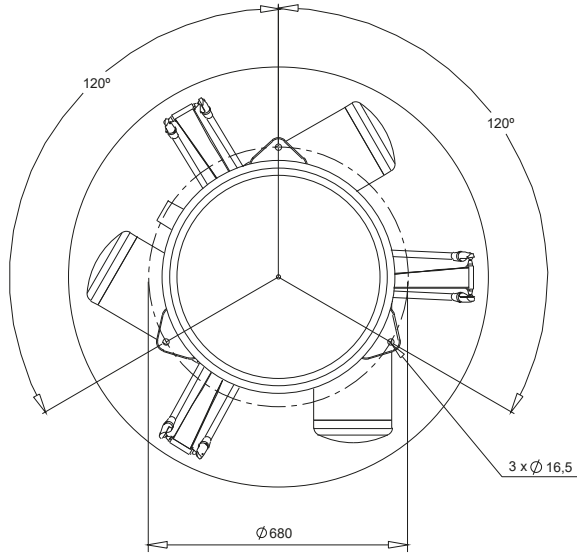




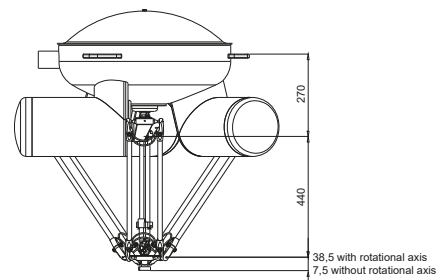
Gripper dimensions



CR_UGD4_XS_□R_HD□

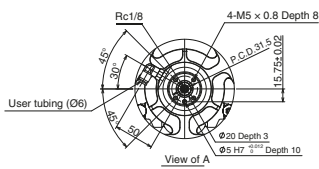
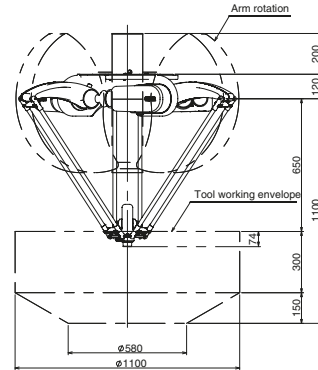
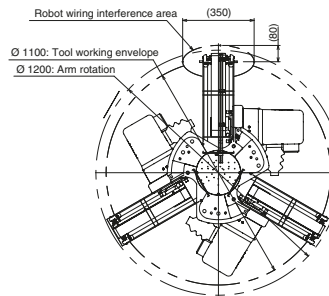
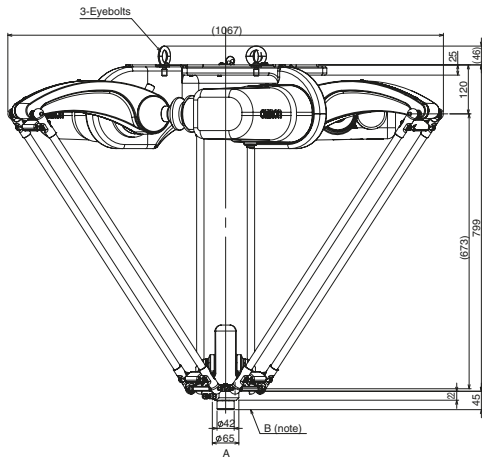
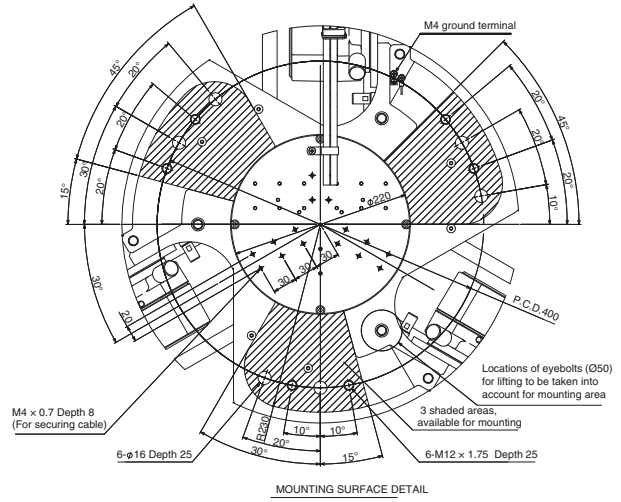
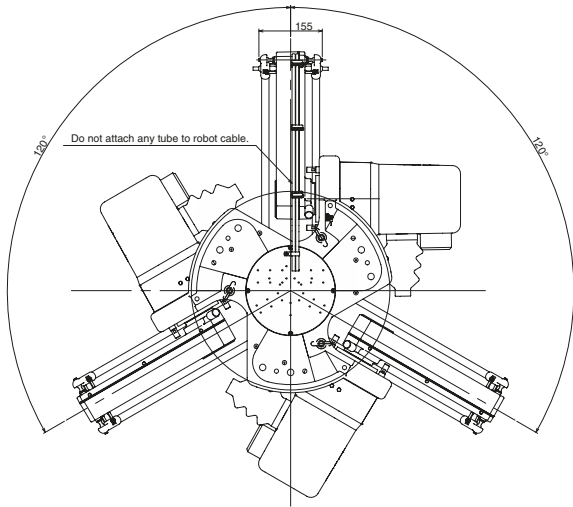


Gripper dimensions



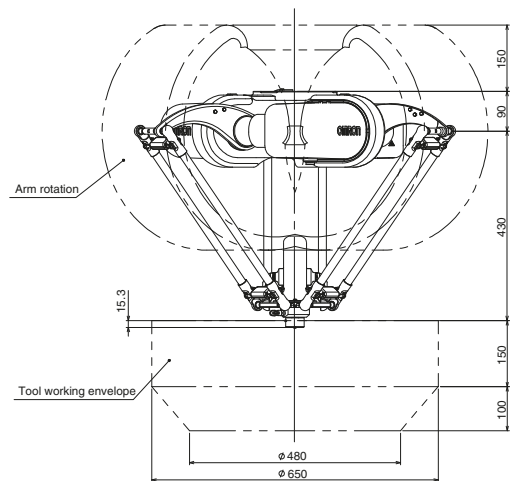
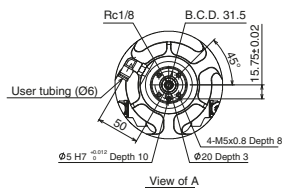
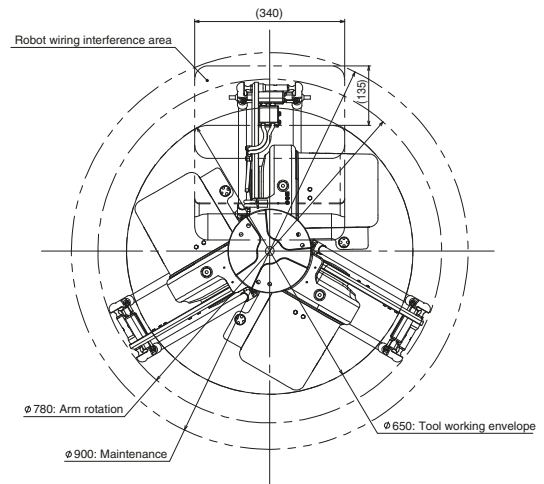
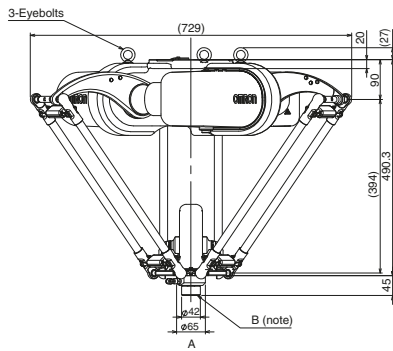
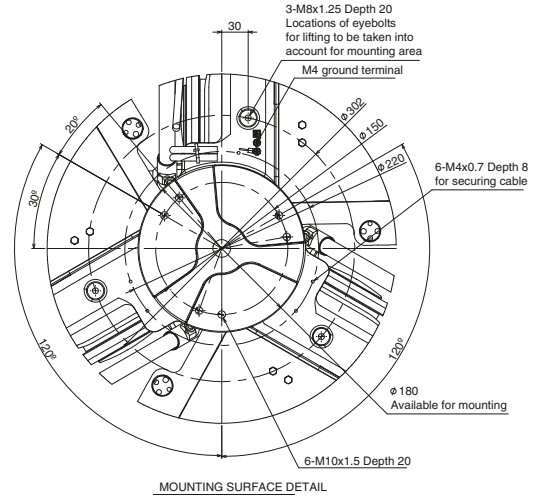
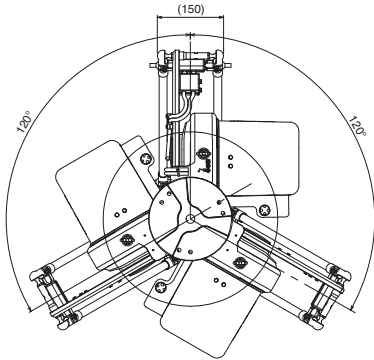
IP67 protection class models

R6Y3□110□03067NJ5



Note: The three areas of the robot base are available for mounting. Leave other area unoccupied for other needs (e.g. wiring). Also note the locations of the eyebolts when designing a mounting frame. Any part of end-effector should not stick out above the surface of B.

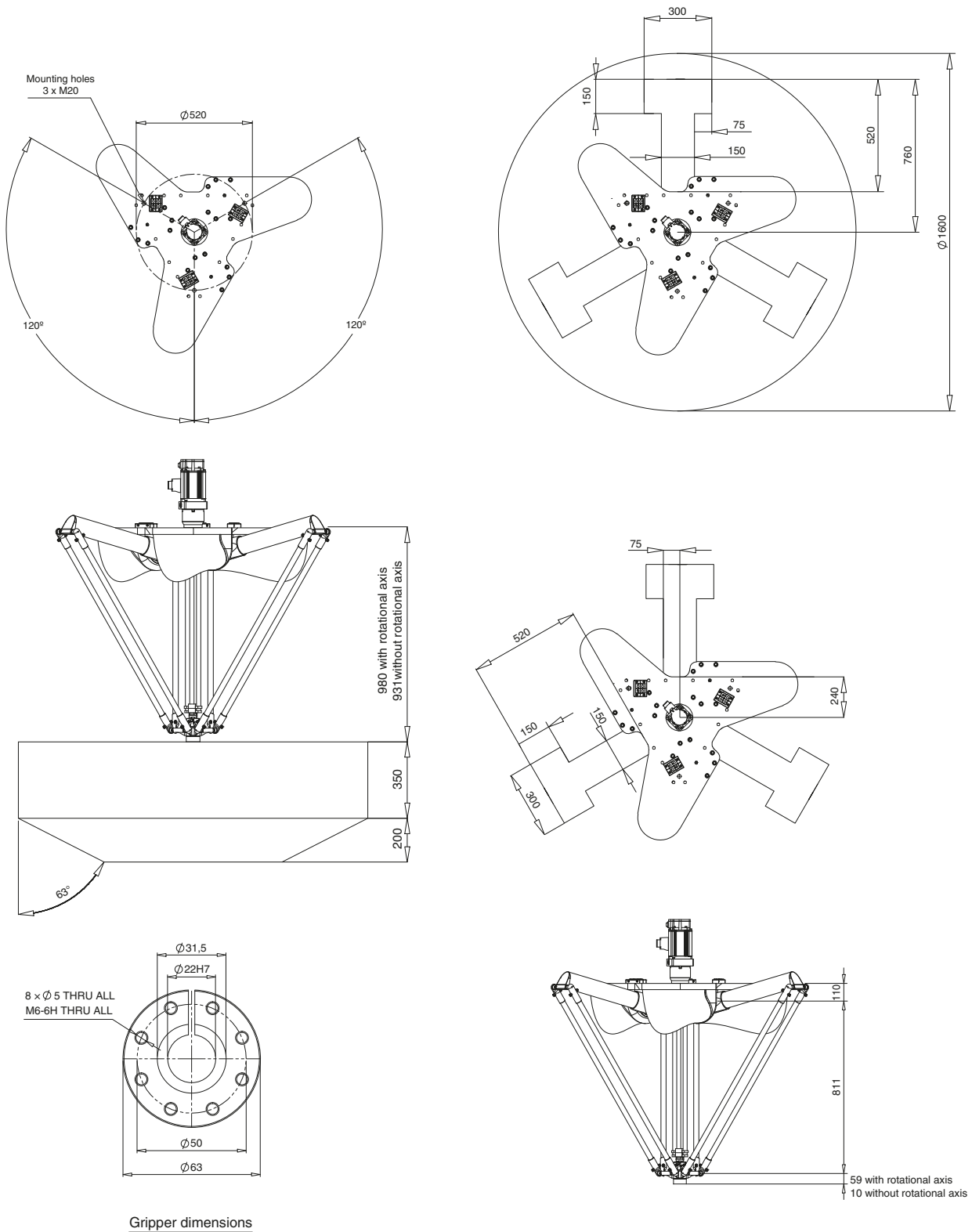
R6Y3□065□02067NJ5



Note: Mounting area should be smaller than 180 mm diameter to avoid collision with robot cable. Frame of base should not be in the arm moving area. Any part of end-effector should not stick out above the surface of B.

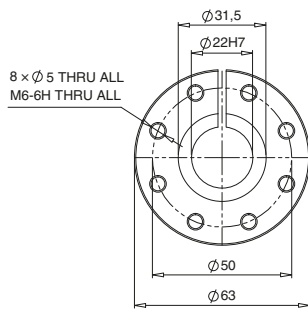
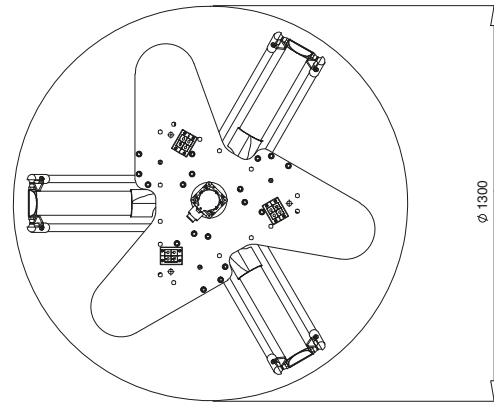
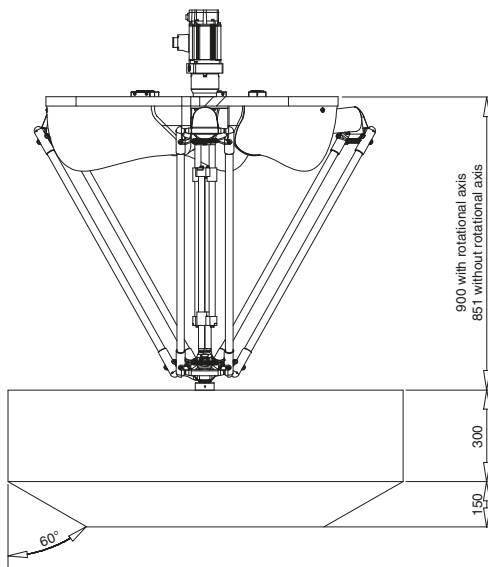
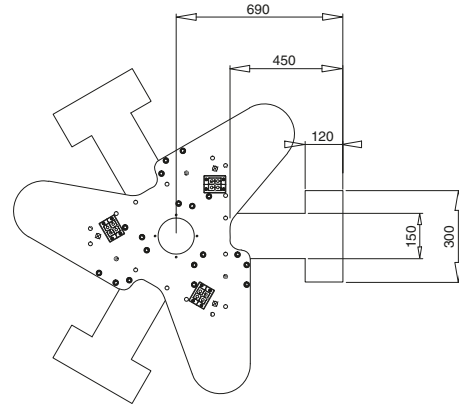
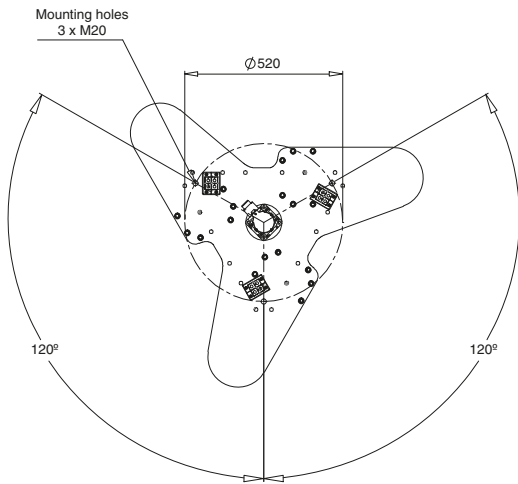
IP65 protection class models

CR_UGD4_XXLH_□R

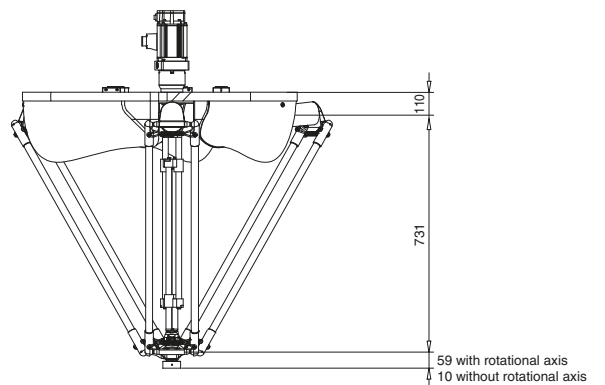


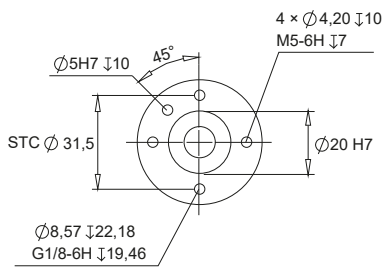
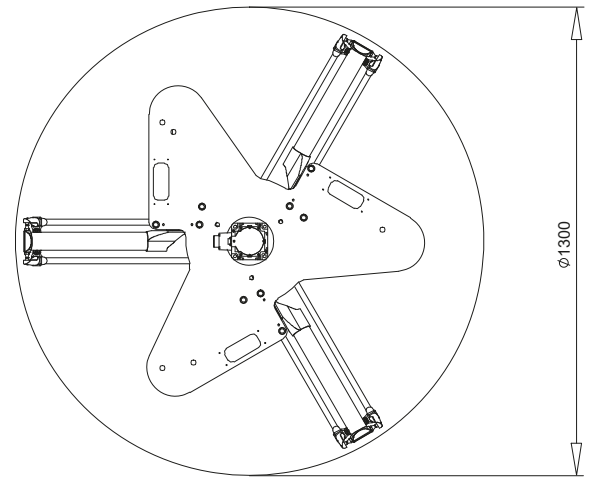
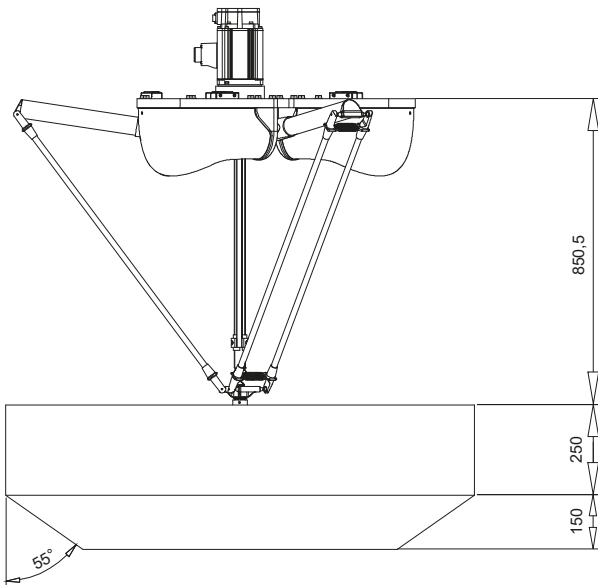
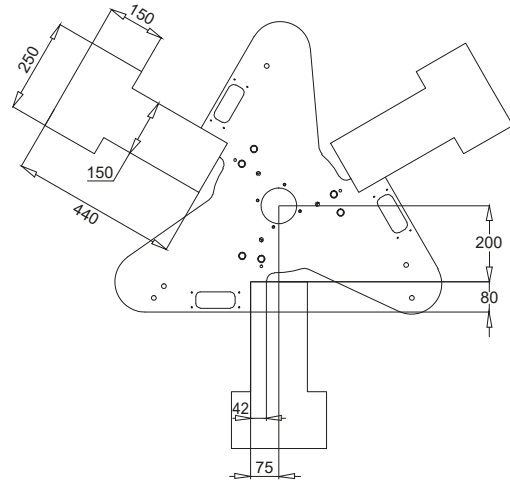
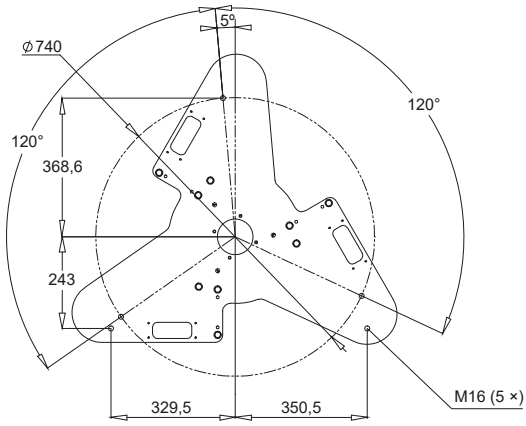
Gripper dimensions

CR_UGD4_XXL1300H_□R

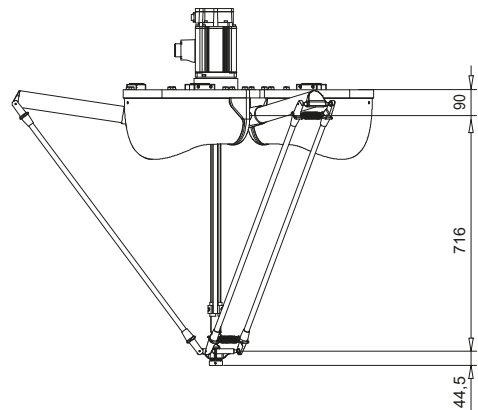


Gripper dimensions

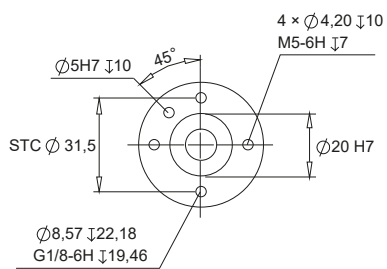
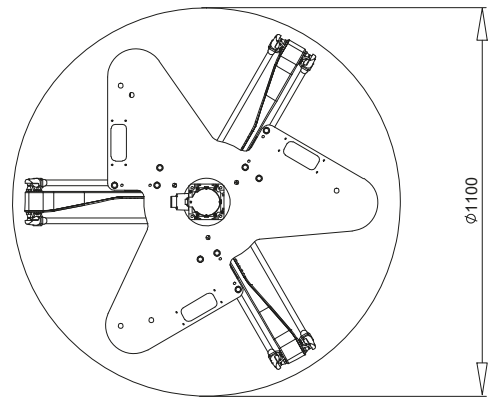
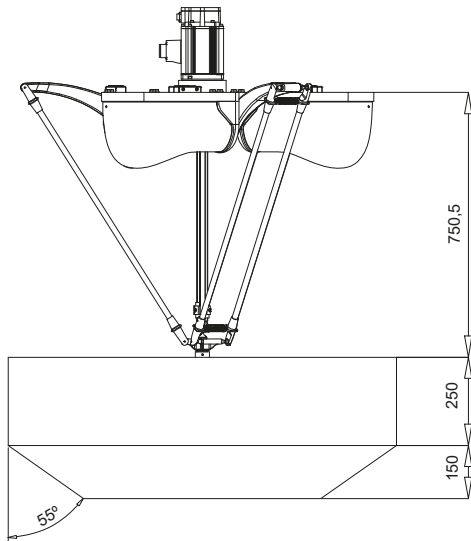
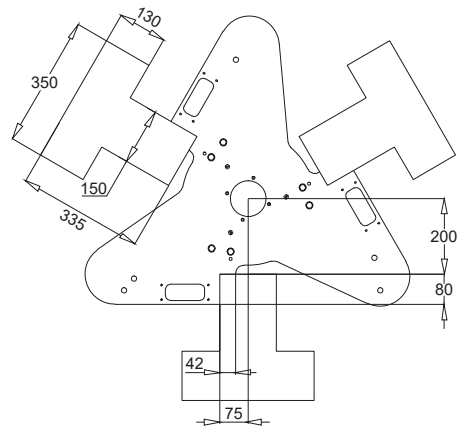
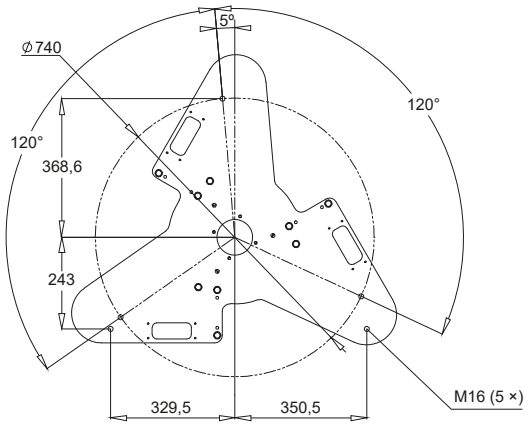




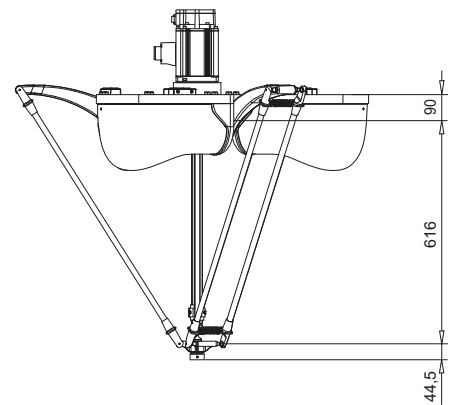
Gripper dimensions

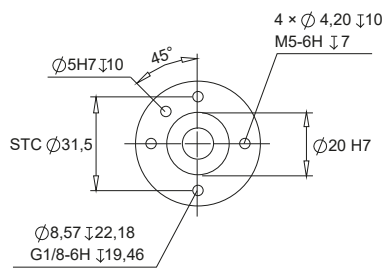
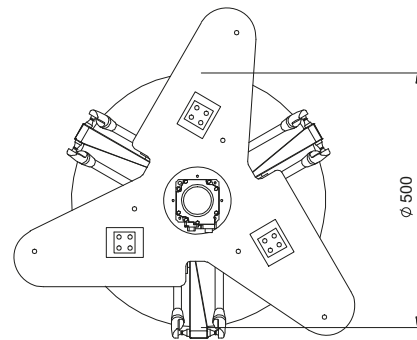
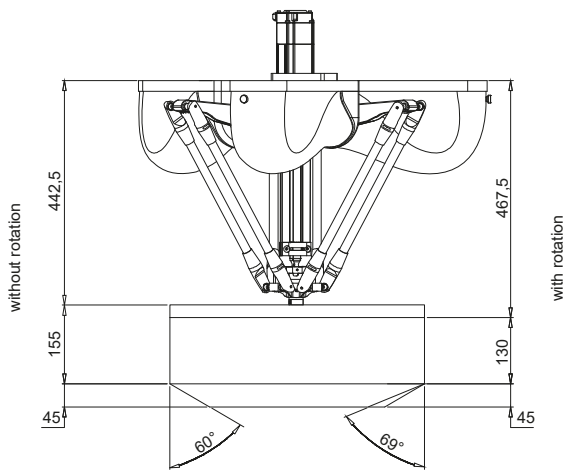
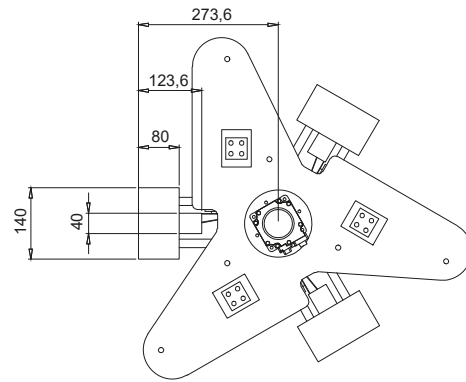
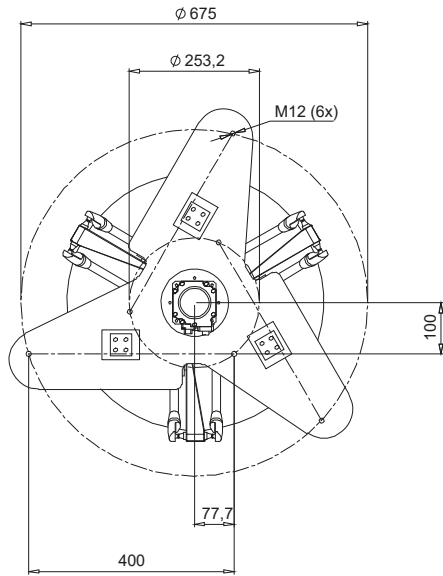


CR_UGD4_□R

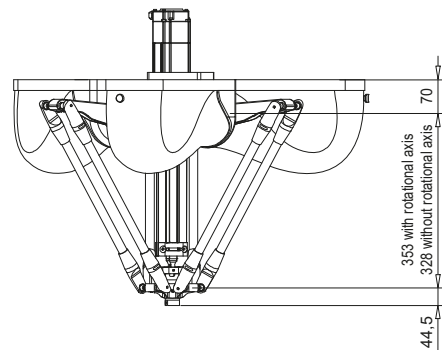


Gripper dimensions

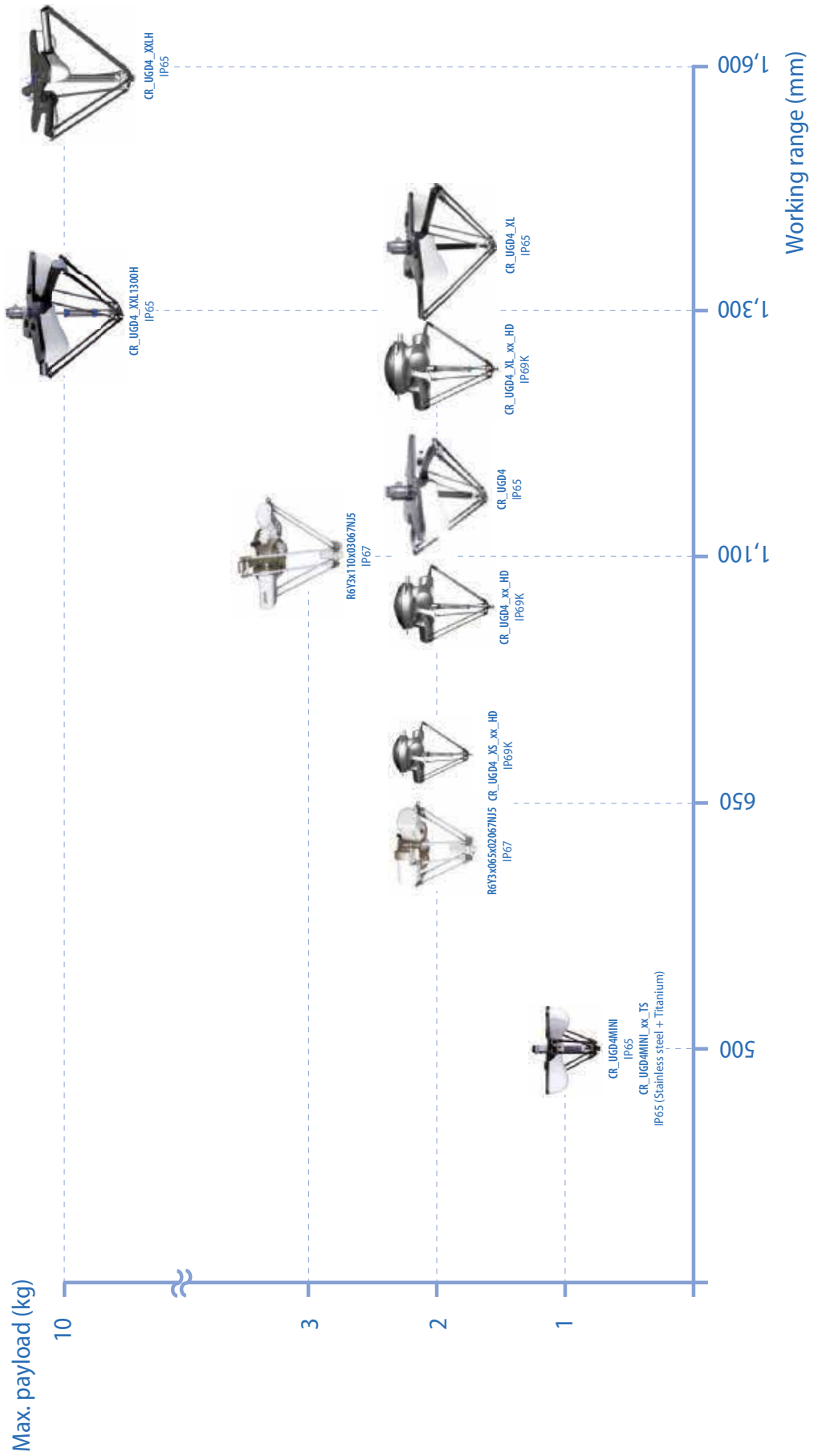




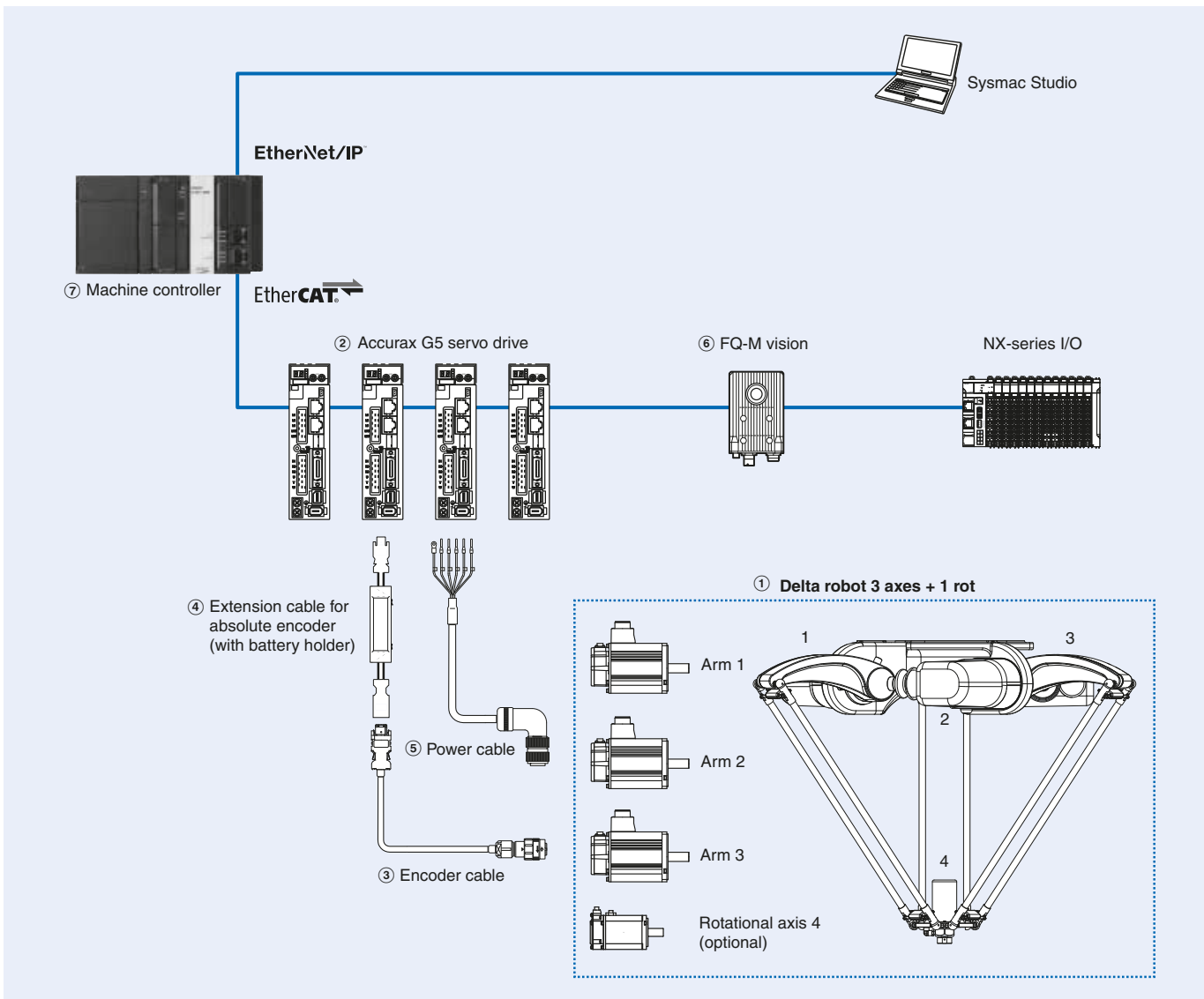
Gripper dimensions



Selection table



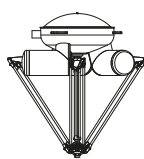
Ordering information



Note: Servo motors included in the Delta robot.

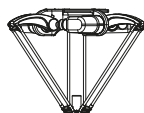
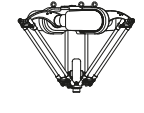
Delta robot 3 axes + 1 rot series

IP69K protection class models

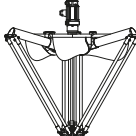



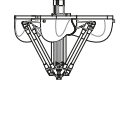
Symbol	Model	Cable length	Max. payload	Working range	Description ¹	Axis	②Applicable servo drive		
① 	CR_UGD4_XL_R_HD3	3 m	2 kg	Ø 1,300 x 250 mm (Max. 400)	3 + 1 axes Hygienic Design	Arm 1	R88D-KN15H-ECT		
	CR_UGD4_XL_R_HD5	5 m				Arm 2	R88D-KN15H-ECT		
	CR_UGD4_XL_R_HD10	10 m				Arm 3	R88D-KN15H-ECT		
	CR_UGD4_XL_R_HD15	15 m				Rotational 4	R88D-KN08H-ECT		
	CR_UGD4_XL_R_HD20	20 m							
	CR_UGD4_XL_NR_HD3	3 m			3 axes Hygienic Design	Arm 1	R88D-KN15H-ECT		
	CR_UGD4_XL_NR_HD5	5 m				Arm 2	R88D-KN15H-ECT		
	CR_UGD4_XL_NR_HD10	10 m				Arm 3	R88D-KN15H-ECT		
	CR_UGD4_XL_NR_HD15	15 m							
	CR_UGD4_XL_NR_HD20	20 m							
	CR_UGD4_R_HD3	3 m				Ø 1,100 x 250 mm (Max. 400)	3 + 1 axes Hygienic Design	Arm 1	R88D-KN15H-ECT
	CR_UGD4_R_HD5	5 m						Arm 2	R88D-KN15H-ECT
CR_UGD4_R_HD10	10 m	Arm 3	R88D-KN15H-ECT						
CR_UGD4_R_HD15	15 m	Rotational 4	R88D-KN08H-ECT						
CR_UGD4_R_HD20	20 m								
CR_UGD4_NR_HD3	3 m	3 axes Hygienic Design	Arm 1	R88D-KN15H-ECT					
CR_UGD4_NR_HD5	5 m		Arm 2	R88D-KN15H-ECT					
CR_UGD4_NR_HD10	10 m		Arm 3	R88D-KN15H-ECT					
CR_UGD4_NR_HD15	15 m								
CR_UGD4_NR_HD20	20 m								
CR_UGD4_XS_R_HD3	3 m		Ø 650 x 200 mm (Max. 270)	3 + 1 axes Hygienic Design	Arm 1		R88D-KN15H-ECT		
CR_UGD4_XS_R_HD5	5 m				Arm 2		R88D-KN15H-ECT		
CR_UGD4_XS_R_HD10	10 m				Arm 3	R88D-KN15H-ECT			
CR_UGD4_XS_R_HD15	15 m	Rotational 4			R88D-KN08H-ECT				
CR_UGD4_XS_R_HD20	20 m								
CR_UGD4_XS_NR_HD3	3 m	3 axes Hygienic Design		Arm 1	R88D-KN15H-ECT				
CR_UGD4_XS_NR_HD5	5 m			Arm 2	R88D-KN15H-ECT				
CR_UGD4_XS_NR_HD10	10 m			Arm 3	R88D-KN15H-ECT				
CR_UGD4_XS_NR_HD15	15 m								
CR_UGD4_XS_NR_HD20	20 m								

¹The models with IP69K protection class include the encoder, power and brake cables.

IP67 protection class models


Symbol	Model	Max. payload	Working range	Description	Axis	②Applicable servo drive
① 	R6Y31110H03067NJ5	3 kg	Ø 1,100 x 300 mm (Max. 450)	3 + 1 axes (high inertia rotational axis)	Arm 1	R88D-KN15H-ECT
	R6Y31110L03067NJ5				Arm 2	R88D-KN15H-ECT
					Arm 3	R88D-KN15H-ECT
					Rotational 4	R88D-KN01H-ECT
	R6Y30110S03067NJ5			3 + 1 axes (low inertia rotational axis)	Arm 1	R88D-KN15H-ECT
				Arm 2	R88D-KN15H-ECT	
				Arm 3	R88D-KN15H-ECT	
				Rotational 4	R88D-KN01H-ECT	
				3 axes	Arm 1	R88D-KN15H-ECT
Arm 2	R88D-KN15H-ECT					
Arm 3	R88D-KN15H-ECT					
① 	R6Y31065H02067NJ5	2 kg	Ø 650 x 150 mm (Max. 250)	3 + 1 axes (high inertia rotational axis)	Arm 1	R88D-KN04H-ECT
	R6Y31065L02067NJ5				Arm 2	R88D-KN04H-ECT
					Arm 3	R88D-KN04H-ECT
					Rotational 4	R88D-KN01H-ECT
	R6Y30065S02067NJ5			3 + 1 axes (low inertia rotational axis)	Arm 1	R88D-KN04H-ECT
				Arm 2	R88D-KN04H-ECT	
				Arm 3	R88D-KN04H-ECT	
				Rotational 4	R88D-KN01H-ECT	
				3 axes	Arm 1	R88D-KN04H-ECT
	Arm 2			R88D-KN04H-ECT		
	Arm 3			R88D-KN04H-ECT		

IP65 protection class models

Symbol	Model	Max. payload	Working range	Description	Axis	②Applicable servo drive
① 	CR_UGD4_XXLH_R	10 kg	Ø 1,600 x 350 mm (Max. 550)	3 + 1 axes	Arm 1	R88D-KN30F-ECT
	CR_UGD4_XXLH_NR			3 axes	Arm 2	R88D-KN30F-ECT
① 	CR_UGD4_XXL1300H_R		Ø 1,300 x 300 mm (Max. 450)	3 + 1 axes	Arm 3	R88D-KN30F-ECT
	CR_UGD4_XXL1300H_NR			Rotational 4	Arm 1	R88D-KN15F-ECT
① 	CR_UGD4_XL_R	2 kg	Ø 1,300 x 250 mm (Max. 400)	3 + 1 axes	Arm 2	R88D-KN30F-ECT
	CR_UGD4_XL_NR			3 axes	Arm 1	R88D-KN30F-ECT
① 	CR_UGD4_R	2 kg	Ø 1,100 x 250 mm (Max. 400)	3 + 1 axes	Arm 2	R88D-KN30F-ECT
	CR_UGD4_NR			3 axes	Arm 1	R88D-KN30F-ECT
① 	CR_UGD4MINI_R CR_UGD4MINI_R_TS ^{*1}	1 kg	Ø 500 x 130 mm (Max. 175)	3 + 1 axes	Arm 3	R88D-KN15H-ECT
	CR_UGD4MINI_NR CR_UGD4MINI_NR_TS ^{*1}			3 axes	Arm 1	R88D-KN15H-ECT

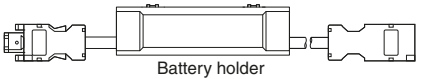

*1: The CR_UGD4MINI_□_TS models are delivered standard with stainless steel + titanium secondary arms.

Encoder cables

Symbol	Applicable Delta robots	Model	Appearance
③	CR_UGD4_XL_□_HD□ (Arm 1, 2, 3) ^{*1}	1.5 m R88A-CRKC001-5NR-E	
	CR_UGD4_□_HD□ (Arm 1, 2, 3) ^{*1}	3 m R88A-CRKC003NR-E	
	CR_UGD4_XS_□_HD□ (Arm 1, 2, 3) ^{*1}	5 m R88A-CRKC005NR-E	
	R6Y3□110□03067NJ5	10 m R88A-CRKC010NR-E	
	CR_UGD4_XXLH	15 m R88A-CRKC015NR-E	
	CR_UGD4_XXL1300H	20 m R88A-CRKC020NR-E	
	CR_UGD4_XL		
	CR_UGD4		
	R6Y3□065□02067NJ5 (Rotational axis 4)		
	CR_UGD4_XL_□_HD□ (Rotational axis 4) ^{*1}	1.5 m R88A-CRKA001-5CR-E	
CR_UGD4_□_HD□ (Rotational axis 4) ^{*1}	3 m R88A-CRKA003CR-E		
CR_UGD4_XS_□_HD□ (Rotational axis 4) ^{*1}	5 m R88A-CRKA005CR-E		
R6Y3□065□02067NJ5 (Arm 1, 2, 3)	10 m R88A-CRKA010CR-E		
CR_UGD4MINI_□_TS	15 m R88A-CRKA015CR-E		
CR_UGD4MINI	20 m R88A-CRKA020CR-E		

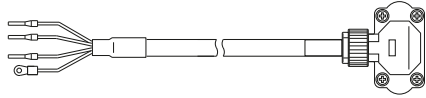

*1: The models with IP69K protection class include the encoder cables.

Absolute encoder battery cable (encoder extension cable only)

Symbol	Specifications	Model	Appearance
④	Absolute encoder battery cable	Battery not included 0.3 m R88A-CRGD0R3C-E	
		Battery included 0.3 m R88A-CRGD0R3C-BS-E	
	Absolute encoder backup battery	2,000 mA, 3.6 V - R88A-BAT01G	

Power and brake cables

Symbol	Applicable Delta robots			Model	Appearance		
⑤	CR_UGD4_XL□_HD□ ¹ CR_UGD4□_HD□ CR_UGD4_XS□_HD□	Arm 1, 2, 3	Power cable with brake	1.5 m	R88A-CAGB001-5BR-E		
				3 m	R88A-CAGB003BR-E		
				5 m	R88A-CAGB005BR-E		
				10 m	R88A-CAGB010BR-E		
				15 m	R88A-CAGB015BR-E		
		20 m	R88A-CAGB020BR-E				
		Rotational axis 4	Power cable without brake	1.5 m	R88A-CAKA001-5SR-E		
				3 m	R88A-CAKA003SR-E		
				5 m	R88A-CAKA005SR-E		
				10 m	R88A-CAKA010SR-E		
	15 m			R88A-CAKA015SR-E			
	20 m	R88A-CAKA020SR-E					
		Brake cable	1.5 m	R88A-CAKA001-5BR-E			
			3 m	R88A-CAKA003BR-E			
			5 m	R88A-CAKA005BR-E			
			10 m	R88A-CAKA010BR-E			
			15 m	R88A-CAKA015BR-E			
	20 m	R88A-CAKA020BR-E					
	R6Y3□110□03067NJ5	Arm 1, 2, 3	Power cable with brake	1.5 m		R88A-CAGB001-5BR-E	
				3 m		R88A-CAGB003BR-E	
5 m				R88A-CAGB005BR-E			
10 m				R88A-CAGB010BR-E			
15 m				R88A-CAGB015BR-E			
20 m		R88A-CAGB020BR-E					
Rotational axis 4		Power cable without brake	1.5 m	R88A-CAGB001-5SR-E			
			3 m	R88A-CAGB003SR-E			
			5 m	R88A-CAGB005SR-E			
			10 m	R88A-CAGB010SR-E			
	15 m		R88A-CAGB015SR-E				
20 m	R88A-CAGB020SR-E						
CR_UGD4_XXLH CR_UGD4_XXL1300H	Arm 1, 2, 3	Power cable with brake	1.5 m	R88A-CAGD001-5BR-E			
			3 m	R88A-CAGD003BR-E			
			5 m	R88A-CAGD005BR-E			
			10 m	R88A-CAGD010BR-E			
			15 m	R88A-CAGD015BR-E			
	20 m	R88A-CAGD020BR-E					
	Rotational axis 4	Power cable with brake	1.5 m	R88A-CAKF001-5BR-E			
			3 m	R88A-CAKF003BR-E			
			5 m	R88A-CAKF005BR-E			
			10 m	R88A-CAKF010BR-E			
15 m			R88A-CAKF015BR-E				
20 m	R88A-CAKF020BR-E						
CR_UGD4_XL CR_UGD4	Arm 1, 2, 3 and rotational axis 4	Power cable with brake	1.5 m	R88A-CAGB001-5BR-E			
			3 m	R88A-CAGB003BR-E			
			5 m	R88A-CAGB005BR-E			
			10 m	R88A-CAGB010BR-E			
			15 m	R88A-CAGB015BR-E			
	20 m	R88A-CAGB020BR-E					
	R6Y3□065□02067NJ5	Arm 1, 2, 3	Power cable without brake	1.5 m	R88A-CAKA001-5SR-E		
				3 m	R88A-CAKA003SR-E		
				5 m	R88A-CAKA005SR-E		
				10 m	R88A-CAKA010SR-E		
15 m				R88A-CAKA015SR-E			
20 m		R88A-CAKA020SR-E					
		Brake cable	1.5 m	R88A-CAKA001-5BR-E			
			3 m	R88A-CAKA003BR-E			
			5 m	R88A-CAKA005BR-E			
			10 m	R88A-CAKA010BR-E			
	15 m		R88A-CAKA015BR-E				
20 m	R88A-CAKA020BR-E						
Rotational axis 4	Power cable without brake	1.5 m	R88A-CAGB001-5SR-E				
		3 m	R88A-CAGB003SR-E				
		5 m	R88A-CAGB005SR-E				
		10 m	R88A-CAGB010SR-E				
		15 m	R88A-CAGB015SR-E				
20 m	R88A-CAGB020SR-E						

Symbol	Applicable Delta robots				Model	Appearance	
⑤	CR_UGD4MINI_□_TS CR_UGD4MINI	Arm 1, 2, 3 and rotational axis 4	Power cable without brake	1.5 m	R88A-CAKA001-5SR-E		
				3 m	R88A-CAKA003SR-E		
				5 m	R88A-CAKA005SR-E		
				10 m	R88A-CAKA010SR-E		
				15 m	R88A-CAKA015SR-E		
			20 m	R88A-CAKA020SR-E			
			Brake cable	1.5 m	R88A-CAKA001-5BR-E		
				3 m	R88A-CAKA003BR-E		
				5 m	R88A-CAKA005BR-E		
				10 m	R88A-CAKA010BR-E		
15 m	R88A-CAKA015BR-E						
20 m	R88A-CAKA020BR-E						

*1: The models with IP69K protection class include the power and brake cables.

Vision

Name	Type		Model
⑥ FQ-M series	Color	NPN	FQ-MS120-ECT
		PNP	FQ-MS125-ECT
	Monochrome	NPN	FQ-MS120-M-ECT
		PNP	FQ-MS125-M-ECT

Machine controller

Name		Functions	Delta robot control	Axes	Model
⑦ NJ Robotics	CPU unit	Logic sequence, motion, robotics and database connection	Control of up to 8 Delta robot depending on the number of axes supported by the CPU	16	NJ501-4320
				64	NJ501-4500
				32	NJ501-4400
				16	NJ501-4300
				16	NJ501-4310
	Power supply unit				

Accessories

Name	Applicable Delta robots	Specifications	Model
Anti-collision detection option	R6Y3□110□03067NJ5 R6Y3□065□02067NJ5	Connectors mounted between the TCP flange and the arms	R6YACAD01

Computer software

Specifications	Model
Sysmac Studio version 1.03 or higher	SYSMAC-SE2□□□

CONSULTING DISTRIBUTOR



POHL

POHL Electronic GmbH
Eduard-Maurer-Straße 11a • 16761 Hennigsdorf
Tel. +49 3302 81893-0 • Fax +49 3302 81893-99
www.pohl-electronic.de • info@pohl-electronic.de

ALL DIMENSIONS SHOWN ARE IN MILLIMETERS.
To convert millimeters into inches, multiply by 0.03937. To convert grams into ounces, multiply by 0.03527.