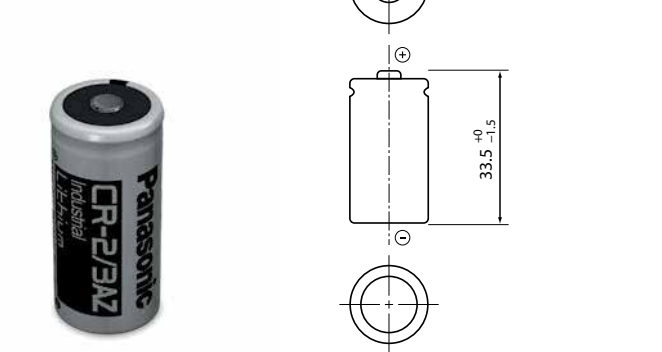


2 MANGANESE DIOXIDE LITHIUM BATTERIES (CR SERIES FOR PROFESSIONALS)

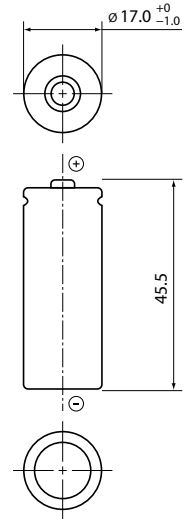
CR-2/3AZ

DIMENSIONS (MM)



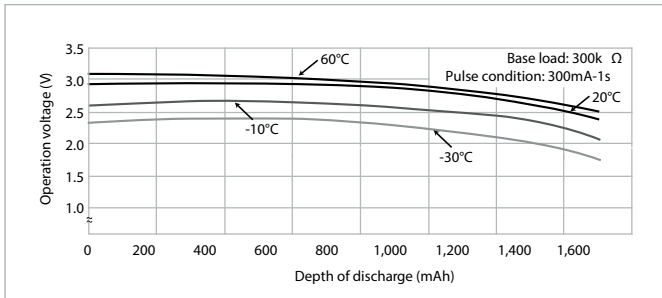
Model number	CR-2/3AZ
Nominal voltage (V)	3
Nominal capacity (mAh)	1,600
Diameter (mm)	17.0
Total height (mm)	33.5
Discharging temperature range (°C)	-40 to +70
Weight (g)	17.0

CR-AG

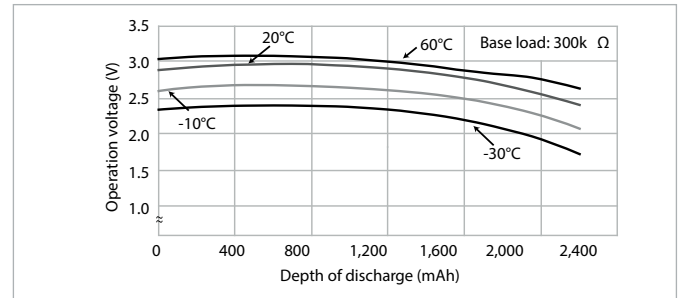


Model number	CR-AG
Nominal voltage (V)	3
Nominal capacity (mAh)	2,400
Diameter (mm)	17.0
Total height (mm)	45.5
Discharging temperature range (°C)	-40 to +70
Weight (g)	24.0

PULSE DISCHARGE PERFORMANCE



DISCHARGE TEMPERATURE CHARACTERISTICS



CONSULTING DISTRIBUTOR

POHL Electronic GmbH
 Eduard-Maurer-Straße 11a • 16761 Hennigsdorf
 Tel. +49 3302 81893-0 • Fax +49 3302 81893-99
 www.pohl-electronic.de • info@pohl-electronic.de