



INDIVIDUAL DATA SHEETS

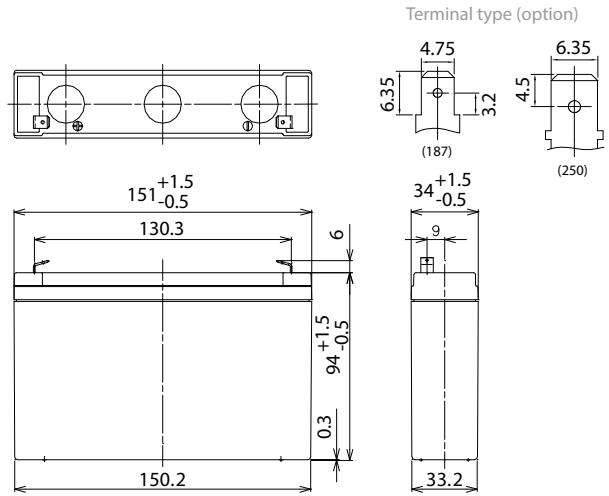
LC-P067R2P/P1

FOR STANDBY POWER SUPPLIES.  
 EXPECTED TRICKLE DESIGN LIFE: 10 – 12 YEARS AT 20°C  
 ACCORDING TO EUROBAT.

DIMENSIONS (MM)

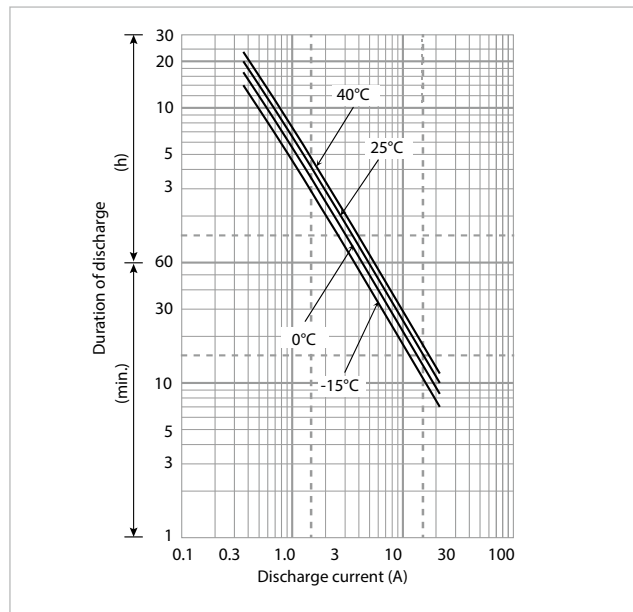


Contents indicated (including the recycle marking, etc.) are subject to change without notice. Battery case resin: flame-retardant (UL94 V-0)



Specifications		LC-P067R2P/P1
Nominal voltage (V)		6
Nominal capacity	20 hours rate (Ah)	7.2
Dimensions	Length (mm)	34
	Width (mm)	151
	Total height (mm)	100
Approx. mass (kg)		1.30
Terminal type		Faston 187/250
Capacity (25°C)	20 hours rate (Ah)	7.2
	10 hours rate (Ah)	6.6
	3 hours rate (Ah)	5.8
	1 hour rate (Ah)	4.9
Impedance (mΩ)	Fully charged battery (25°C)	15
Temperature dependency of capacity (%) – 20 hours rate	40°C	102
	25°C	100
	0°C	85
	-15°C	65
Remaining capacity (25°C)	After 3 months (%)	91
	After 6 months (%)	82
	After 12 months (%)	64

DURATION OF DISCHARGE VS. DISCHARGE CURRENT



WATT TABLE (25°C)

(Wattage/battery)

Cut-off	3min.	5min.	10min.	15min.	20min.	30min.	45min.	1h	1.5h	2h	3h	4h	5h	6h	10h	20h
4.80V	215	167	110	83.5	67.1	49.2	36.0	28.2	22.3	17.3	12.3	9.60	7.69	6.40	4.19	2.30
4.95V	202	143	93.5	79.5	64.8	48.2	35.8	27.6	21.9	17.2	12.1	9.53	7.63	6.27	4.18	2.29
5.10V	189	136	91.0	75.5	63.0	47.2	34.3	26.8	20.7	16.3	11.8	9.33	7.32	6.11	4.00	2.21
5.25V	172	124	86.8	72.2	60.2	45.4	33.4	26.2	19.9	15.8	11.5	9.15	7.27	6.05	3.98	2.14
5.40V	154	112	82.0	69.1	57.7	43.6	31.3	24.2	18.6	14.0	10.7	8.46	6.67	5.60	3.71	2.07

AMPERE TABLE (25°C)

(Ampere/battery)

Cut-off	3min.	5min.	10min.	15min.	20min.	30min.	45min.	1h	1.5h	2h	3h	4h	5h	6h	10h	20h
4.80V	38.9	30.6	19.9	14.8	12.3	9.10	6.40	5.10	3.50	2.70	2.00	1.53	1.26	1.02	0.670	0.363
4.95V	36.1	28.7	19.5	14.7	12.1	9.00	6.36	5.05	3.43	2.68	1.99	1.52	1.25	1.01	0.667	0.362
5.10V	34.2	26.9	19.0	14.4	11.9	8.90	6.30	5.00	3.36	2.61	1.97	1.51	1.24	1.00	0.660	0.361
5.25V	31.4	24.1	17.6	13.4	11.3	8.70	6.20	4.90	3.29	2.52	1.94	1.50	1.23	0.988	0.657	0.360
5.40V	29.0	22.3	15.7	12.5	11.0	8.40	6.10	4.80	3.20	2.40	1.90	1.48	1.20	0.972	0.650	0.358

All mentioned values are average values

## LC-P067R2P/P1

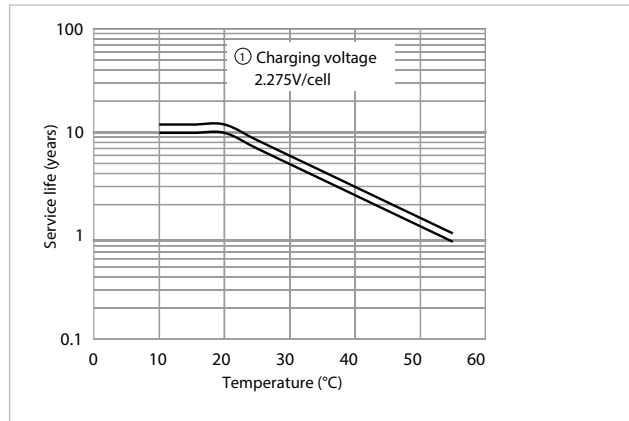
### CHARGING METHOD (25°C)

Cycle use	Control voltage 6.8V - 6.9V Initial current 1.08A or smaller
-----------	---

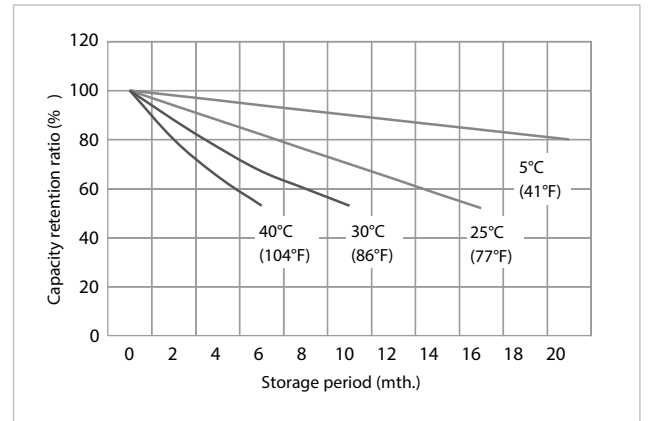
### CUT-OFF VOLTAGE

Discharge current	0.36A - 1.44A	1.44A - 3.6A	3.6A - 7.2A	7.2A - 14.4A	14.4A - 21.6A
Cut-off voltage	5.25V	5.10V	4.95V	4.65V	4.35V

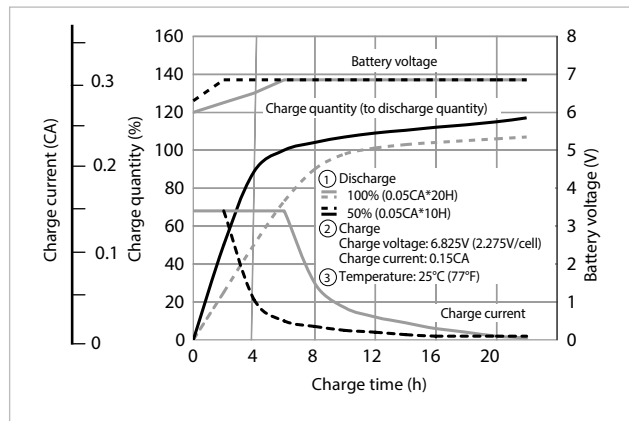
### INFLUENCE OF TEMPERATURE ON TRICKLE LIFE



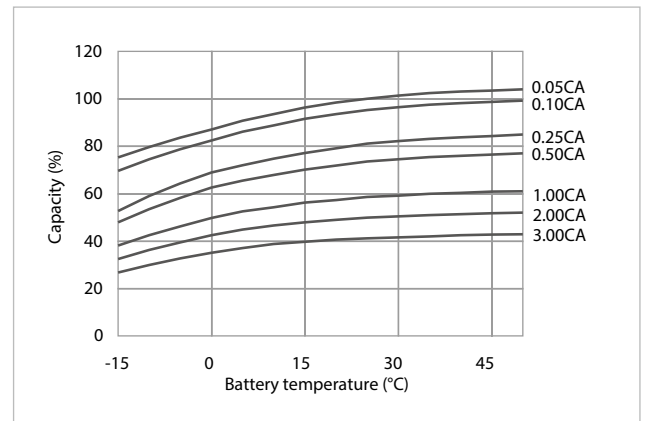
### RESIDUAL CAPACITY VS. STORAGE PERIOD



### CONSTANT-VOLTAGE CONSTANT-CURRENT CHARGE CHARACTERISTICS FOR TRICKLE USE



### DISCHARGE CAPACITY BY TEMPERATURE AND BY DISCHARGE CURRENT



### DISCHARGE CHARACTERISTICS

