



INDIVIDUAL DATA SHEETS

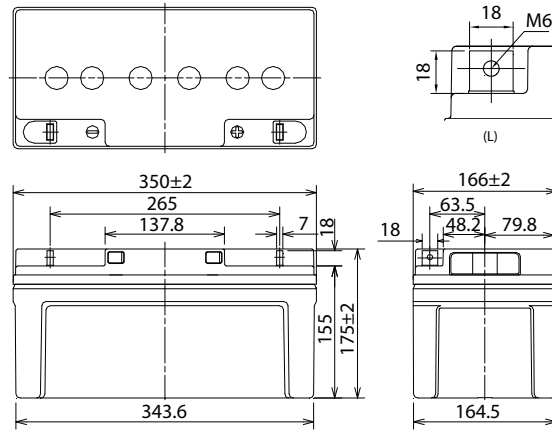
LC-QA1270P

FOR STANDBY POWER SUPPLIES.
 EXPECTED TRICKLE DESIGN LIFE: 15 YEARS AT 20°C.

DIMENSIONS (MM)



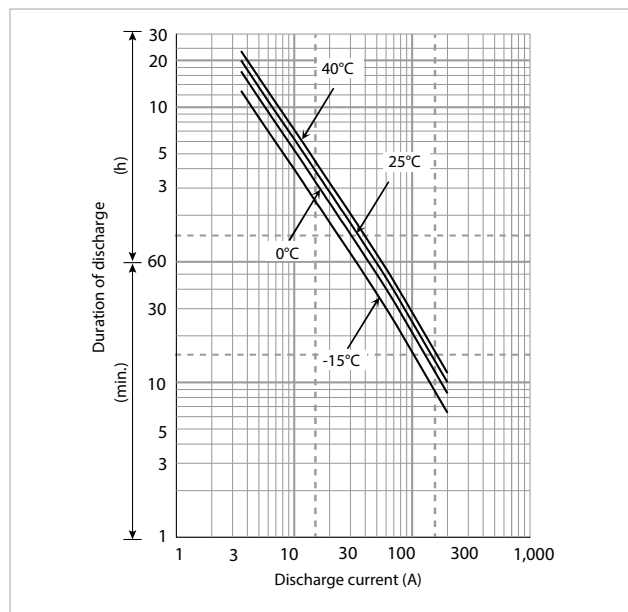
Terminal type



Contents indicated (including the recycle marking, etc.) are subject to change without notice. Battery case resin: flame-retardant (UL94 V-0)

Specifications		LC-QA1270P
Nominal voltage (V)		12
Nominal capacity	20 hours rate (Ah)	70
Dimensions	Length (mm)	166
	Width (mm)	350
	Total height (mm)	175
Approx. mass (kg)		23.5
Terminal type		M6 bolt/nut
Capacity (25°C)	20 hours rate (Ah)	71
	10 hours rate (Ah)	65
	3 hours rate (Ah)	55.0
	1 hour rate (Ah)	46.0
Impedance (mΩ)	Fully charged battery (25°C)	5
	Temperature dependency of capacity (%) – 20 hours rate	
	40°C	102
	25°C	100
	0°C	85
	-15°C	65
Remaining capacity (25°C)	After 3 months (%)	91
	After 6 months (%)	82
	After 12 months (%)	64

DURATION OF DISCHARGE VS. DISCHARGE CURRENT



WATT TABLE (25°C)

(Wattage/battery)

Cut-off	10min.	15min.	20min.	30min.	45min.	1h	1.5h	2h	3h	4h	5h	6h	10h	20h
9.6V	1,977	1,504	1,234	916	676	549	386	333	240	181	148	130	75.5	41.7
9.9V	1,947	1,491	1,227	909	660	520	367	323	234	177	146	127	74.0	41.5
10.2V	1,867	1,463	1,197	899	655	519	365	311	224	168	138	122	73.1	41.2
10.5V	1,814	1,436	1,173	884	641	509	358	306	221	166	137	120	73.0	39.8
10.8V	1,704	1,357	1,153	865	626	499	351	299	219	165	135	119	12.5	39.4

AMPERE TABLE (25°C)

(Ampere/battery)

Cut-off	10min.	15min.	20min.	30min.	45min.	1h	1.5h	2h	3h	4h	5h	6h	10h	20h
9.6V	200	146	118	85.9	62.8	48.4	34.8	27.1	19.4	15.0	12.5	10.5	6.50	3.53
9.9V	199	144	117	85.0	61.2	47.7	33.9	27.0	19.1	14.9	12.4	10.4	6.50	3.53
10.2V	197	140	116	83.8	60.9	47.3	33.7	26.8	18.9	14.8	12.3	10.3	6.50	3.53
10.5V	187	136	110	82.7	59.5	45.6	33.3	26.7	18.4	14.7	12.1	10.2	6.50	3.53
10.8V	177	132	108	81.4	51.1	41.0	29.4	24.9	17.8	14.4	12.0	10.1	6.50	3.47

All mentioned values are average values



LC-QA1270P

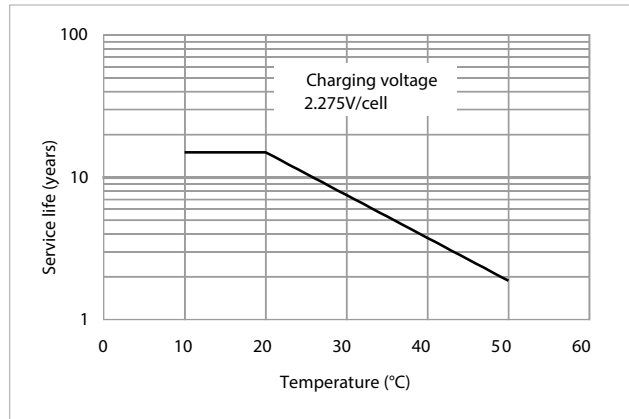
CHARGING METHOD (25°C)

Cycle use	Control voltage: 13.6V - 13.8V Initial current: 10.5A or smaller
-----------	---

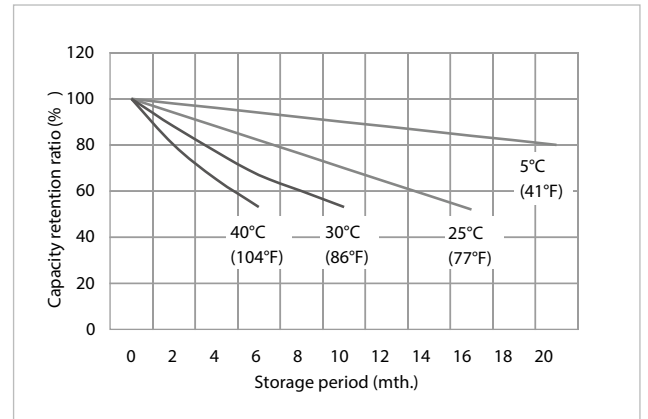
CUT-OFF VOLTAGE

Discharge current	3.50A - 14.0A	14.0A - 35.0A	35.0A - 70.0A	70.0A - 140A	140A - 210A
Cut-off voltage	10.5V	10.2V	9.9V	9.3V	8.7V

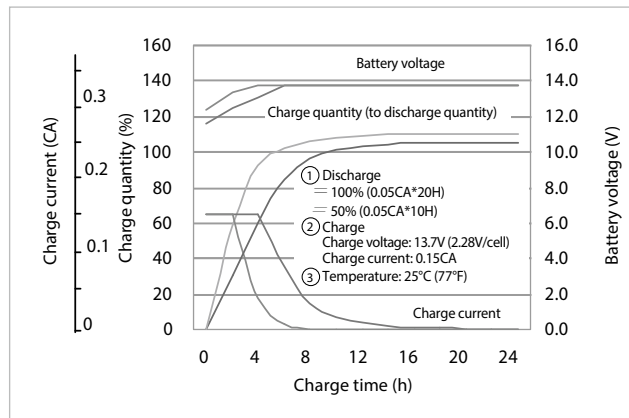
INFLUENCE OF TEMPERATURE ON TRICKLE LIFE



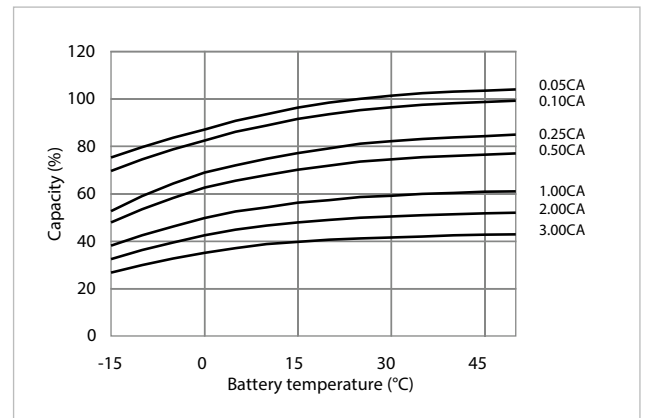
RESIDUAL CAPACITY TEST RESULT



CONSTANT-VOLTAGE CONSTANT-CURRENT CHARGE CHARACTERISTICS FOR TRICKLE USE



DISCHARGE CAPACITY BY TEMPERATURE AND BY DISCHARGE CURRENT



DISCHARGE CHARACTERISTICS

