



INDIVIDUAL DATA SHEETS

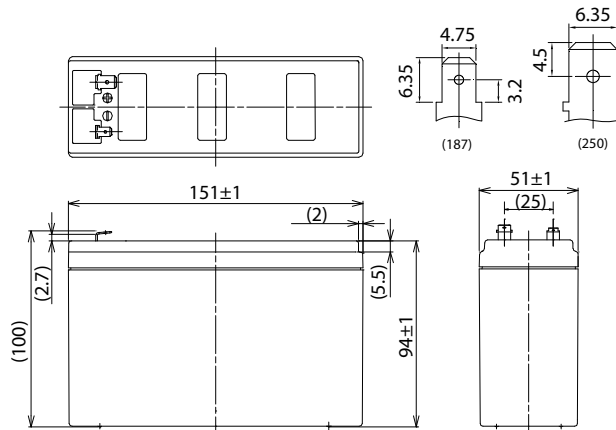
UP-VWA1232P1/P2

FOR STANDBY POWER SUPPLIES.
 EXPECTED TRICKLE DESIGN LIFE: 6 – 9 YEARS AT 20°C
 ACCORDING TO EUROBAT.

DIMENSIONS (MM)



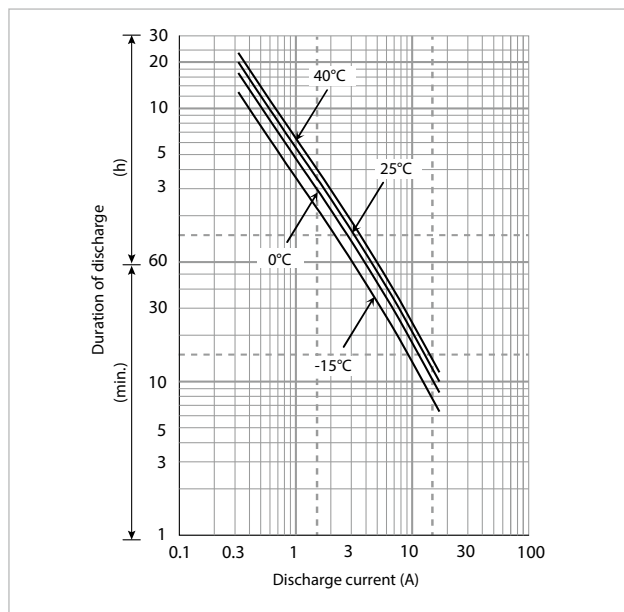
Terminal type (option)



Contents indicated (including the recycle marking, etc.) are subject to change without notice. Battery case resin: flame-retardant (UL94 V-0)

| Specifications | | UP-VWA1232P1/P2 |
|--|------------------------------|---------------------|
| Nominal voltage (V) | | 12 |
| Rated power | 10 minutes rate (W) | 192 |
| Nominal capacity | 20 hours rate (Ah) | 6.4 |
| Dimensions | Length (mm) | 51 |
| | Width (mm) | 151 |
| | Total height (mm) | 100 |
| Approx. mass (kg) | | 1.85 |
| Terminal type | | Faston250 & 187/250 |
| Power (25°C) | 30 minutes rate (W) | 97 |
| | 15 minutes rate (W) | 165 |
| | 10 minutes rate (W) | 210 |
| | 5 minutes rate (W) | 339 |
| Impedance (mΩ) | Fully charged battery (25°C) | 25 |
| Temperature dependency of capacity (%) – 20 hours rate | 40°C | 102 |
| | 25°C | 100 |
| | 0°C | 85 |
| | -15°C | 65 |
| Remaining capacity (25°C) | After 3 months (%) | 91 |
| | After 6 months (%) | 82 |
| | After 12 months (%) | 64 |

DURATION OF DISCHARGE VS. DISCHARGE CURRENT



WATT TABLE (25°C)

(Wattage/battery)

| Cut-off | 3min. | 5min. | 10min. | 15min. | 20min. | 30min. | 45min. | 1h | 1.5h | 2h | 3h | 4h | 5h | 6h | 10h | 20h |
|---------|-------|-------|--------|--------|--------|--------|--------|------|------|------|------|------|------|------|------|------|
| 9.6V | 444 | 339 | 210 | 165 | 130 | 97.0 | 71.1 | 56.9 | 41.8 | 31.5 | 22.5 | 16.6 | 13.8 | 11.7 | 7.39 | 3.86 |
| 9.9V | 418 | 290 | 179 | 157 | 127 | 95.0 | 70.7 | 55.5 | 40.9 | 31.3 | 22.4 | 16.5 | 13.7 | 11.4 | 7.36 | 3.85 |
| 10.2V | 391 | 276 | 174 | 149 | 124 | 93.0 | 67.7 | 53.9 | 38.8 | 29.6 | 21.5 | 15.9 | 13.2 | 11.2 | 7.04 | 3.72 |
| 10.5V | 355 | 251 | 166 | 143 | 118 | 89.5 | 65.9 | 52.8 | 37.3 | 28.6 | 20.3 | 15.8 | 13.1 | 11.1 | 7.01 | 3.71 |
| 10.8V | 318 | 226 | 157 | 137 | 113 | 86.0 | 61.7 | 48.8 | 34.8 | 25.5 | 19.5 | 14.6 | 12.0 | 10.3 | 6.53 | 3.47 |

AMPERE TABLE (25°C)

(Ampere/battery)

| Cut-off | 3min. | 5min. | 10min. | 15min. | 20min. | 30min. | 45min. | 1h | 1.5h | 2h | 3h | 4h | 5h | 6h | 10h | 20h |
|---------|-------|-------|--------|--------|--------|--------|--------|------|------|------|------|------|------|-------|-------|-------|
| 9.6V | 36.9 | 27.8 | 17.1 | 13.7 | 11.0 | 8.29 | 6.06 | 4.83 | 3.31 | 2.56 | 1.89 | 1.45 | 1.19 | 0.958 | 0.634 | 0.344 |
| 9.9V | 34.7 | 26.5 | 16.7 | 13.0 | 10.7 | 8.12 | 6.02 | 4.71 | 3.25 | 2.54 | 1.88 | 1.44 | 1.18 | 0.954 | 0.631 | 0.343 |
| 10.2V | 32.5 | 25.2 | 16.3 | 12.3 | 10.3 | 7.95 | 5.77 | 4.58 | 3.08 | 2.40 | 1.80 | 1.38 | 1.14 | 0.916 | 0.604 | 0.331 |
| 10.5V | 29.5 | 22.9 | 15.5 | 11.8 | 9.90 | 7.65 | 5.61 | 4.48 | 2.96 | 2.32 | 1.76 | 1.33 | 1.07 | 0.906 | 0.602 | 0.320 |
| 10.8V | 26.4 | 20.6 | 14.6 | 11.3 | 9.48 | 7.35 | 5.26 | 4.14 | 2.76 | 2.07 | 1.64 | 1.28 | 1.03 | 0.838 | 0.560 | 0.309 |

All mentioned values are average values



UP-VWA1232P1/P2

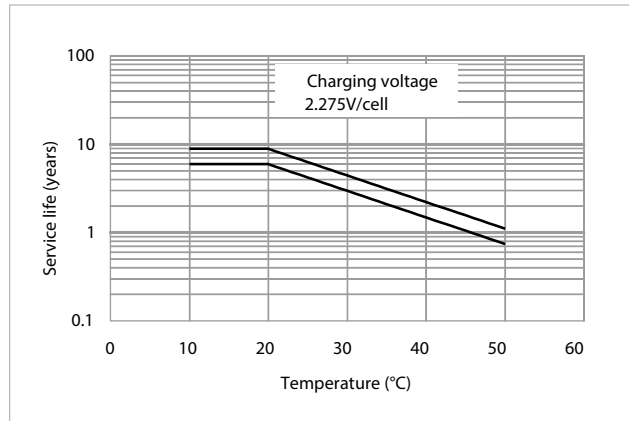
CHARGING METHOD (25°C)

| | |
|-----------|--|
| Cycle use | Control voltage: 13.6V - 13.8V Initial current: 0.900A or smaller |
|-----------|--|

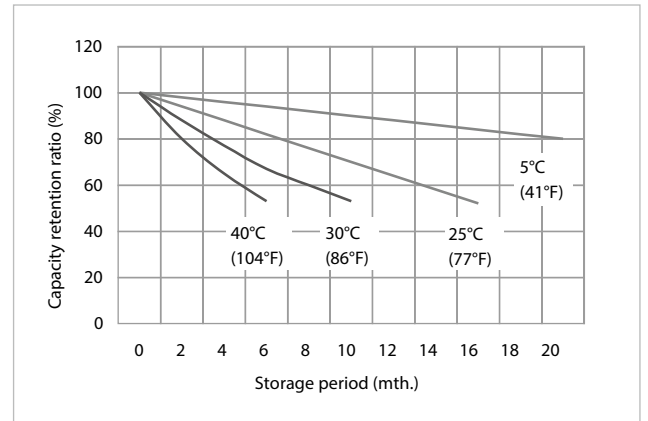
CUT-OFF VOLTAGE

| | | | | | |
|-------------------|----------------|---------------|---------------|---------------|---------------|
| Discharge current | 0.300A - 1.20A | 1.20A - 3.00A | 3.00A - 6.00A | 6.00A - 12.0A | 12.0A - 18.0A |
| Cut-off voltage | 10.5V | 10.2V | 9.9V | 9.3V | 8.7V |

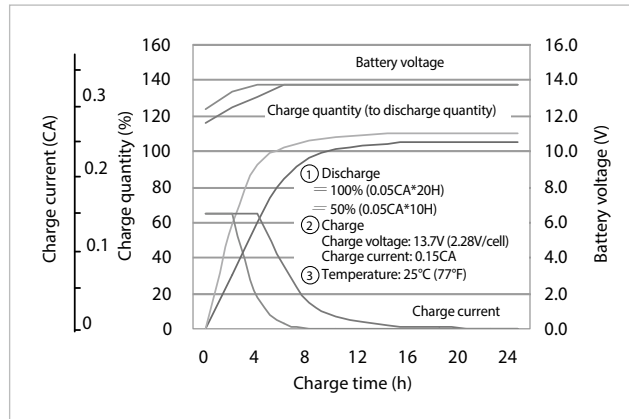
INFLUENCE OF TEMPERATURE ON TRICKLE LIFE



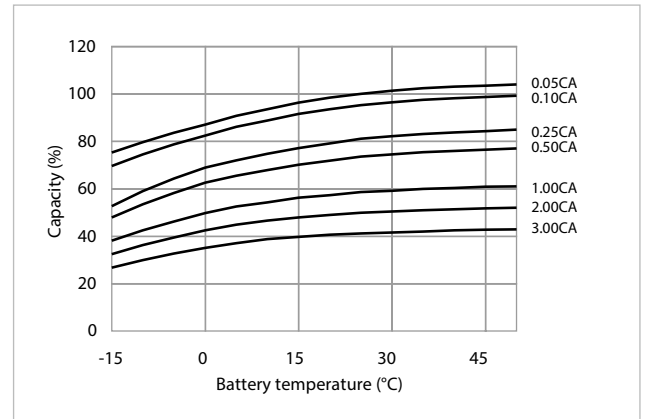
RESIDUAL CAPACITY TEST RESULT



CONSTANT-VOLTAGE CONSTANT-CURRENT CHARGE CHARACTERISTICS FOR TRICKLE USE



DISCHARGE CAPACITY BY TEMPERATURE AND BY DISCHARGE CURRENT



DISCHARGE CHARACTERISTICS

