

# BG16080B

## Feature

1. SMT PCB with metal frame
2. Built-in controller LC7981
3. +5V single power supply, with built-in negative voltage
4. 1/80 duty cycle
5. Option: LED, EL B/L
6. Option: Built-in negative voltage

## Mechanical Data

Item	Standard Value	Unit
Module Dimension	100.0 x 54.0	mm
Viewing Area	72.3 x 37.8	mm
Dot Size	0.39 x 0.39	mm
Dot Pitch	0.42 x 0.42	mm



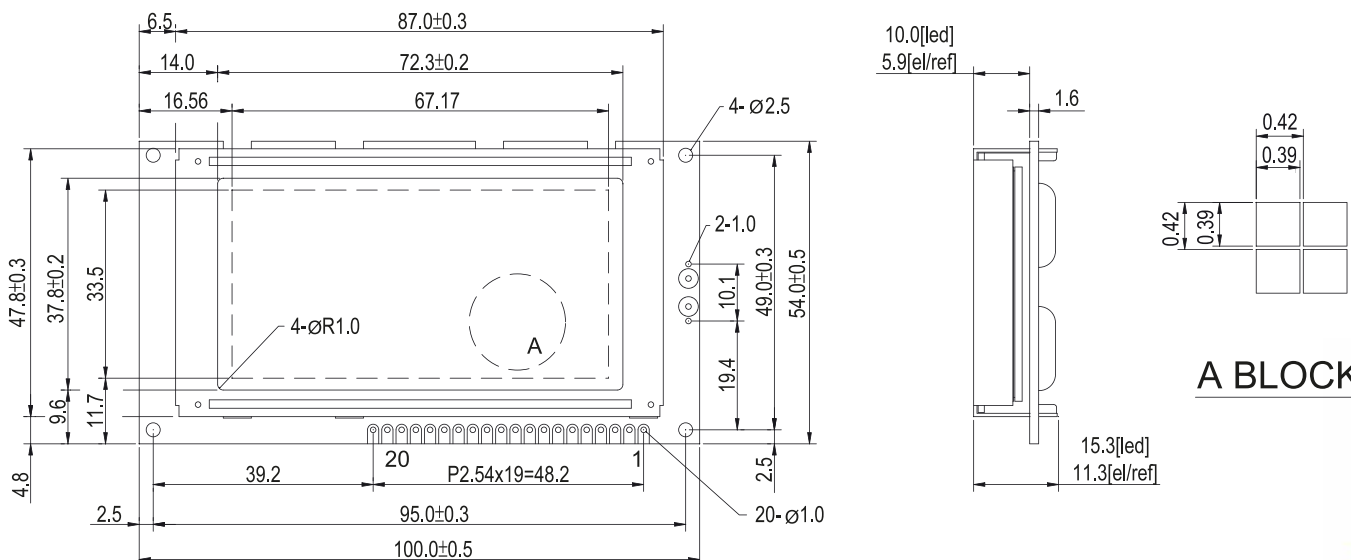
## Pin Assignment

Pin	Symbol	Function
1	Vss	Power supply(GND)
2	Vdd	Power supply(+5V)
3	Vo	Contrast adjustment
4	RS	Instruction/Data input
5	R/W	Data read/write
6	E	Chip enable
7~14	DB0-7	Data bus line
15	/CS	Chip select
16	/RES	Reset signal
17	Vee	Negative voltage output(-10V)
18	/DISPOFF	Display off signal
19	A	Power supply for B/L (+)
20	K	Power supply for B/L (GND)

## Electronic Characteristics

Item	Symbol	Condition	Typical Value	Unit
Input Voltage	Vdd	Vdd = +5V	5.0	V
Supply Current	Idd	Vdd = +5V	35	mA
LCD Driving Voltage	Vdd-Vo	25°C	14.3	V
LED Forward Voltage (White)	Vf	25°C	3.7	V
LED Forward Current	If	25°C	60	mA

## Dimension



A BLOCK

BG-29